

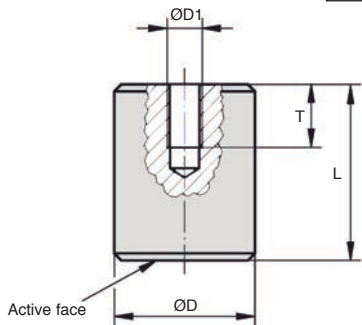
Magnetic stud



PLM

AlNiCo

- Solid magnet in steel reinforced casing
- Shielded system
- These magnetic studs can be used for support, lifting or assembly
- Max working temp +450°C
- **Material, finish:**
 - Steel body, red lacquered finish
 - Magnetic core AlNiCo



INCREASED STOCK

DISCOUNTS

Qty	1+	6+	20+	40+	60+
Disc.	List	-15%	-20%	-30%	On request

Part number	ØD	ØD1	L	T	Attraction force (N)	Weight (g)	Stock*	Price each 1 to 5
PLM17-16/A	17	M6	16	4	18	26	✓	7,38 €
PLM21-19/A	21	M6	19	5	28	50	✓	7,86 €
PLM27-25/A	27	M6	25	6	65	110	✓	11,86 €
PLM35-30/A	35	M6	30	9	115	215	✓	21,48 €
PLM65-43/A	65	M12	43	13	400	1080	-	87,97 €

Dimensions in mm

Our other products



TBD

Manual leadscrew table with opposing threads, 20kg



PPRss

Pad eye on mounting plate round, Stainless steel



PRF_CLIP_22

Cable clip for aluminium profile, For electric and pneumatic cables



PRF_FIX_UNI

Universal fastener for aluminium profile, Universal



ZBRA

Machined plastic bevel gear, 1:1



BPHT

Ball transfer unit bolt fitting, Heavy



PRF_VTM

Hammerhead screw, Hammerhead screw



DILC

Indexing plunger with cam, with cam



EBC

Cap nut Hygienic Design®, Compact



CHA225

Screwed hinge with threaded insert, 225 degrees



ACLRP

Wheel for aluminium profile, Integrated bearing



BKGS

Backlash free coupling Gerwah®, from 1.2 to 450Nm

Complementary products



VAP

Magnetic stud with central hole, With central hole



PLC_PLT

Magnetic stud with central hole, With central hole