

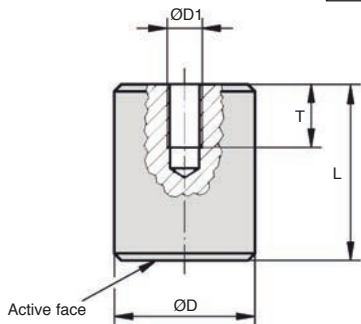
Magnetic stud



PLM

AlNiCo

- Solid magnet in steel reinforced casing
- Shielded system
- These magnetic studs can be used for support, lifting or assembly
- Max working temp +450°C
- **Material, finish:**
 - Steel body, red lacquered finish
 - Magnetic core AlNiCo



✓ INCREASED STOCK

DISCOUNTS

Qty	1+	6+	20+	40+	60+
Disc.	List	-15%	-20%	-30%	On request

Part number	ØD	ØD1	L	T	Attraction force (N)	Weight (g)	Stock*	Price each 1 to 5
PLM17-16/A	17	M6	16	4	18	26	✓	7,38 €
PLM21-19/A	21	M6	19	5	28	50	✓	7,86 €
PLM27-25/A	27	M6	25	6	65	110	✓	11,86 €
PLM35-30/A	35	M6	30	9	115	215	✓	21,48 €
PLM65-43/A	65	M12	43	13	400	1080	-	87,97 €

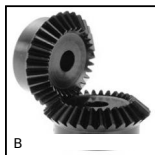
Dimensions in mm

Our other products



SLHHlok

Horizontal toggle clamp, Horizontal toggle clamp / horizontal foot



B

Steel bevel gear, 1:1



PRES2HR

Manual workbench press, Force up to 200kg



FBL6000_K1

Brush strip per meter PA6 fibres Ø0.2 to Ø0.3, Black polyamide 6 -...



PSG15

Spur gear - precision range, Pre-hardened Steel 35NCD6



KB_WW

Closed linear precision bearing, Economy range



RURp

Wheel pivoting with plate, Polyurethane - Aluminium rim (Free running)



NK27

Drylin®N miniature guiding system, Width 27 mm



CLSCLP_SS

Clevis components, short version,



TSP_T10P

Connecting plate for T type timing belts, T10



SRG

Adjustable latch clamp with strike



PRF-SCREEN-1

Screen support, Basic support

Complementary products



VAP

Magnetic stud with central hole, With central hole



PLC_PLT

Magnetic stud with central hole, With central hole