

Handle



PHT For use in high temperatures up to 250°C

- **Heavy-duty handle, resists high temperatures**
- Working temperature:
 - Continuous operation: max + 150/160°C
 - Occasional use: + 250°C max
- Material:
 - Thermoplastic PPA, glass-fibre reinforced, black finish



Applications

- Ovens
- Machines generating heat

Mounting

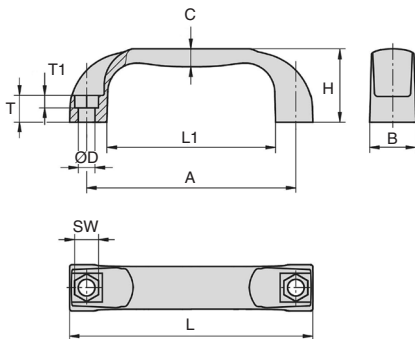
- The mounting hole allows the handle to be secured with either a cylindrical or hexagonal headed screw.
- Front or rear mounting



150°C
Continuously



250°C
For short periods



DISCOUNTS

Qty	1+	6+	20+	50+
Disc.	Net	-5%	-15%	On request

Part N°	A	B	C	ØD	H	L	L1	SW	T	T1	Load (N)	Price each
												1 to 5
PHT-117	117	26	10	9	41	136	94	13	15	8	1500	8,11 €
PHT-132	132	27	11	9	44	154	112	13	16	8	1500	12,87 €

All dimensions in mm



Handle

For use in high temperatures up to 250°C PHT_{SS}

- **Heavy-duty handle, resists high temperatures**
- Working temperature:
Continuous operation: max + 150/160°C
Occasional use: + 250°C max
- Material:
Thermoplastic PPA, glass-fibre reinforced,
black finish
Threaded insert: stainless steel

Applications

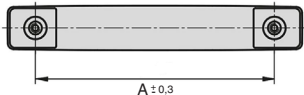
- This handle is larger than most and has an ergonomic design.
- Easy to clean thanks to a closed and smooth design.
- For use in the food or medical industries.

Mounting

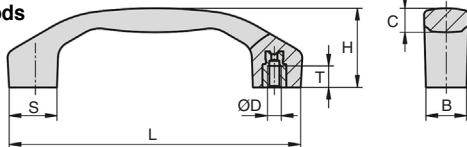
- Rear mounting



150°C
Continuously



250°C
For short periods



DISCOUNTS

Qty	1+	6+	20+	50+
Disc. Net	-5%	-15%	On request	

Part N°	A	B	C	ØD	H	L	S	T	Charge (N)	Price each
										1 to 5
PHT-100/SS	100	17	10,3	M5	34,0	122,5	20	9	1000	17,25 €
PHT-120/SS	120	21	12,4	M6	41,0	146,0	24	12	1000	20,68 €
PHT-140/SS	140	24	15,4	M8	46,5	170,0	28	12	1000	28,46 €

All dimensions in mm

Our other products



BZY_SS
Stainless steel
cylindrical elasto
mount, Stainless steel



VTSM
Ball head screws
Hygienic Design®,
Stainless steel



ACLRP_
Wheel for aluminium
profile, Integrated
bearing



H0
Crossed helical gear
crossed axis at 90°,
Steel 20NCD2



PFM
Fixed levelling foot,
Flanged plate



LF
Precision locknut,
Precision locknut



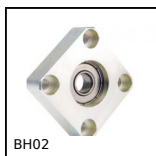
MFB
Flexible bellows
coupling, Aluminium
and Bronze - With set
screw



DOMI50
Domino 50 adjustable
slide, Slide DOMILINE
50



PRF_PL_9090
Joining plate for
aluminium profile,
Joint plate - 90x90



BH02
Single housed bearing
assembly, Bearing
secured with circlips



Q6
Deep groove ball
bearing, Steel



DTR
Chain idler sprocket,
Chain idler sprocket -
Plastic

Complementary products



PO
Pull handle - Multi-
sector, Tapped
recessed insert



PGM52-M4
Pull handle,
Aluminium



PGMT
Pull handle, Steel



PGM52-M4
Pull handle, Brass