

Handle



PHT For use in high temperatures up to 250°C

- **Heavy-duty handle, resists high temperatures**
- Working temperature:
Continuous operation: max + 150/160°C
Occasional use: + 250°C max
- Material:
Thermoplastic PPA
Glass-fibre reinforced, black finish



Applications

- Ovens
- Machines generating heat

Mounting

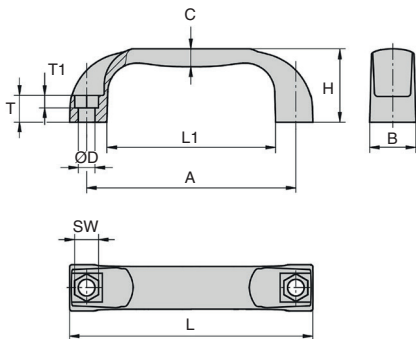
- The mounting hole allows the handle to be secured with either a cylindrical or hexagonal headed screw.
- Front or rear mounting



150°C
Continuously



250°C
For short periods



DISCOUNTS

Qty	1+	6+	20+	50+
Disc.	Net	-5%	-15%	On request

Part N°	A	B	C	ØD	H	L	L1	SW	T	T1	Load (N)	Price each
												1 to 5
PHT-117	117	26	10	9	41	136	94	13	15	8	1500	8,04 €
PHT-132	132	27	11	9	44	154	112	13	16	8	1500	12,76 €

All dimensions in mm

Our other products



PRF_GAL
Roller for aluminium profile, Flat roller



MEF
Bushing, Self-lubricating FP20 ferrous alloy METAFRAM



APB_T
Rod for clamp, Bored



PT880
Drive sprocket, Range 880



SUA4
Chain per metre, Steel



HRV
V-rail guidance system, Rail with carriage



MSP23
Masterplate® glueable insert, Cylindrical Ø23 with threaded stud



SLB
Indexing plunger, steel class 5.8



PHG15
Parallel axis helical gear - Precision range, 35NCD6 Pre-hardened



H1
90° crossed axis helical gear, Steel 20NCD2



GSI_A
Gas spring, Stainless steel



PRES2HR
Manual bench press, Force up to 200kg

Complementary products



PGM52-M4
Carrying handle, Aluminium



PO
Housing handle - Multi-sector, Tapped recessed insert



PGMT
Carrying handle, Steel



PGM52-M4
Carrying handle, Brass