

Handle



PHT For use in high temperatures up to 250°C

- **Heavy-duty handle, resists high temperatures**
- Working temperature:
Continuous operation: max + 150/160°C
Occasional use: + 250°C max
- Material:
Thermoplastic PPA, glass-fibre reinforced,
black finish



Applications

- Ovens
- Machines generating heat

Mounting

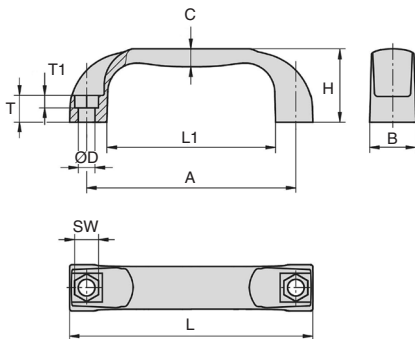
- The mounting hole allows the handle to be secured with either a cylindrical or hexagonal headed screw.
- Front or rear mounting



150°C
Continuously



250°C
For short periods



DISCOUNTS

Qty	1+	6+	20+	50+
Disc.	Net	-5%	-15%	On request

Part N°	A	B	C	ØD	H	L	L1	SW	T	T1	Load (N)	Price each
												1 to 5
PHT-117	117	26	10	9	41	136	94	13	15	8	1500	8,11 €
PHT-132	132	27	11	9	44	154	112	13	16	8	1500	12,87 €

All dimensions in mm



Handle

For use in high temperatures up to 250°C PHT_{SS}

- **Heavy-duty handle, resists high temperatures**
- Working temperature:
 - Continuous operation: max + 150/160°C
 - Occasional use: + 250°C max
- Material:
 - Thermoplastic PPA, glass-fibre reinforced, black finish
 - Threaded insert: stainless steel

Applications

- This handle is larger than most and has an ergonomic design.
- Easy to clean thanks to a closed and smooth design.
- For use in the food or medical industries.

Mounting

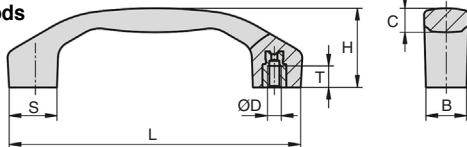
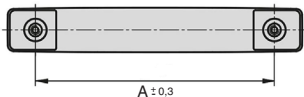
- Rear mounting



150°C
Continuously



250°C
For short periods



DISCOUNTS

Qty	1+	6+	20+	50+
Disc. Net	-5%	-15%	On request	

Part N°	A	B	C	ØD	H	L	S	T	Charge (N)	Price each
										1 to 5
PHT-100/SS	100	17	10,3	M5	34,0	122,5	20	9	1000	17,25 €
PHT-120/SS	120	21	12,4	M6	41,0	146,0	24	12	1000	20,68 €
PHT-140/SS	140	24	15,4	M8	46,5	170,0	28	12	1000	28,46 €

All dimensions in mm

Our other products



NT63

Spur gear coaxial gearbox, from 8 to 20 Nm - In-line



AT5-BAR

AT type tooth bar stock, AT5



CHMR

Reaction arm, CHM and CHMR gear reducers reaction arm



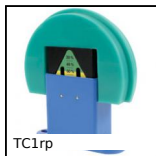
WING

Manually tightened wing nut, Steel (ANSI B18-17)



BAC105

Storage bin, 8mm



TC1rp

Automatic chain tensioner, With 180° guide



FF30

Offset spur gear reducer, from 21.50 to 83 Nm



BLHB60

Right angled gearbox, bored shafts, up to 70 Nm



PM4

Worm and wheel set, Machined plastic



BEAS

Star shaped anti-static handle, Star,



BOX-TOR-G

Box set of Nitrile O-rings in nitrile, 3.00 x



PLB

Cylindrical spacer, Brass

Complementary products



PO

Pull handle - Multi-sector, Tapped recessed insert



PGM52-M4

Pull handle, Aluminium



PGMT

Pull handle, Steel



PGM52-M4

Pull handle, Brass