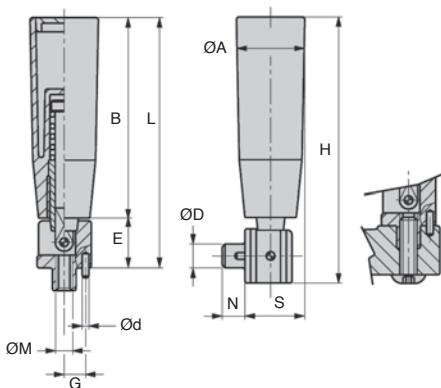


# Stock **Folding cylindrical revolving handle**

Technopolymer with steel  
or **stainless steel** shaft

**PGR**

- **Folding cylindrical revolving handle with release mechanism**
- Operating element
- Material :  
Body: Black glass fibre reinforced polyamide  
Mechanism: Chromed steel or stainless steel



## DISCOUNTS

Qty	1+	6+	10+	20+
Disc. List	-5%	-10%	On request	

Part number		ØA	H	S	ØD	N	ØM	Ød	G	F	E	B	L	Stock* Price each 1 to 5				
Steel	Stainless steel													Steel	Steel	Stainless steel		
PGR21-50	PGR21-50/SS	21	69	19	7	8	M5	2,5	6,3	4	16,5	50	66,5	✓	31,48	€	65,36	€
PGR23-70	PGR23-70/SS	23	92	21	8	8	M6	2,5	7,5	4	16,5	70	86,5	✓	34,29	€	70,94	€
PGR26-90	PGR26-90/SS	26	114	24	8	10	M6	2,5	7,5	4	20	90	110	✓	40,21	€	78,33	€

\*Depending on availability - Dimensions in mm

## Our other products



F7-SN

Multifunction display,  
Articulated support



M2

Worm and wheel set,  
Unhardened steel



PRF4590\_E

Bracket for aluminium  
profile, PRF4590



PRF\_ART

Articulated bracket for  
use with aluminium  
profile, Standard



CHC

Socket headed screw,  
Steel class 12.19



SUPCC

Self-centering  
clamping hub steel,  
With lock nut



CHM63-MOT

Asynchronous AC  
motorgearboxes 0.37  
to 1.5kW, 0.37 to  
1.5kW



SSE

Stainless steel  
spherical bearing,  
Stainless steel / PTFE



PDD

Spring plunger, With  
sensor adaptor



PSPD18

Flexible tube handle,  
Black PVC



HBM

Adjustment bushing  
for half-rail guide,



CHMR30

Worm and wheel gear  
reducer, up to 28 Nm

## Complementary products



PGR

Folding revolving  
handle for handwheel,  
Folding



MHMEP

Arm with rotating  
handle, Prebored



MHQMEP

Arm with rotating  
handle, Square bore



SHA\_PTR

Handwheel with  
folding handle,  
Polyamide