

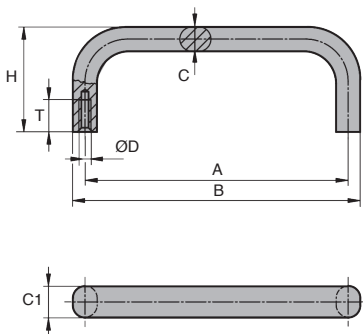
Stainless steel carrying handle

Sta

PGMss

Stainless steel

- Gripping handle for both pushing and pulling
- Rear mounting
- Material:
Stainless steel 304, satin polished



DISCOUNTS

Qty	1+	6+	20+	50+
Disc. List	-5%	-15%	On request	

Part number	A	B	C	C1	ØD	H	T	Load (N)	Stock*	Price each 1 to 5
PGM100-M5/SS	100	108	8	12	M5	39	10	1000	✓	16,29 €
PGM120-M5/SS	120	128	8	12	M5	39	10	1000	✓	16,82 €
PGM150-M5/SS	150	160	10	15	M5	39	10	1000	✓	18,17 €
PGM180-M5/SS	180	190	10	15	M5	39	10	1000	✓	19,63 €

Dimensions in mm

HPC

WEB
04/2019

www.hpceurope.com

Tél: 0 825 88 5000 Service 0,15 €/min + prix appel

Our other products



RBG

Wheel, Grey rubber - Polypropylene rim



CHAB

Hinge with stop, Hinge



BIM

Indexing plunger mini, miniature



RAG-12-M8

Roller guide accessory, Anchoring system



HSE-HSB

Hexagonal spacer, Brass



AT5-10ECO

AT type timing pulley, Economy range - AT5 aluminium



PCS8ECO

Chain sprocket - steel, 8mm (DIN 05B-1)



PT821

Drive sprocket for slat top chain, Ranges 821 and 805



BPTR

End cap for round tube, Standard



VELM6

Screw-on base for hook-and-loop strip,



PW_PWG3

Worm - precision range, Stainless steel



PR105

Articulated foot Ø103, Ø 103

Complementary products



PGM86-M5

Pull handle, Thermoplastic



PO

Pull handle - Multi-sector, Smooth hole



PGM52-M4

Pull handle, Aluminium



PO

Pull handle - Multi-sector, Tapped recessed insert