

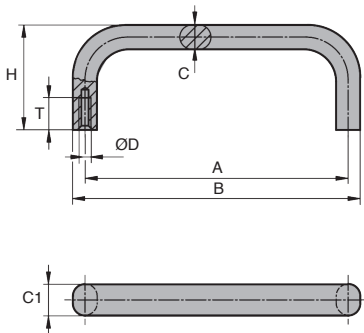
Stainless steel carrying handle

Sta

PGMss

Stainless steel

- Gripping handle for both pushing and pulling
- Rear mounting
- Material:
Stainless steel 304, satin polished



DISCOUNTS

Qty	1+	6+	20+	50+
Disc. List	-5%	-15%	On request	

Part number	A	B	C	C1	ØD	H	T	Load (N)	Stock*	Price each 1 to 5
PGM100-M5/SS	100	108	8	12	M5	39	10	1000	✓	16,29 €
PGM120-M5/SS	120	128	8	12	M5	39	10	1000	✓	16,82 €
PGM150-M5/SS	150	160	10	15	M5	39	10	1000	✓	18,17 €
PGM180-M5/SS	180	190	10	15	M5	39	10	1000	✓	19,63 €

Dimensions in mm

HPC

WEB
04/2019

www.hpceurope.com

Tél: 0 825 88 5000 Service 0,15 €/min + prix appel

Our other products



GAL_25

Ø25 conveyor roller,
Without ball bearing



GE

Toggle latches,
Standard



MHQMEP

Arm with rotating
handle, Square bore



PRF_JL5

Lip seal for panel,
Door seal - Ø 5mm



CM_CO

Tools Hygienic Usit®
and Hygienic
Design®, Protective
inserts for ...



PX

Optional output shaft
stainless steel, P
gearboxes double
sided outp...



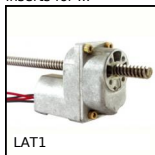
CLR

Straight clevis,
Straight clevis for use
with a male clevis



ACLERP

Roller block for
aluminium profile,
Without guide rail



LAT1

1A motorised linear
actuator, 1 ampere



PW_PWG05

Worm - precision
range, Steel



TUBE25_25

Square Tube,
Aluminium or
Stainless steel



DHX

Dowel pin internal
thread, Extractable
DIN 7979D

Complementary products



PGM86-M5

Pull handle,
Thermoplastic



PO

Pull handle - Multi-
sector, Smooth hole



PGM52-M4

Pull handle,
Aluminium



PO

Pull handle - Multi-
sector, Tapped
recessed insert