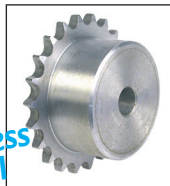


Stainless steel chain sprocket

DIN 10B-1 5/8"

304 stainless steel

- Pitch 5/8" (15.875mm) (DIN 10B-1)
- Roller diameter 10.16mm
- Material:
stainless steel AISI 304
- **We are unable to modify these parts**
- *Pilot bore dimensions are given as a guide only and are subject to change

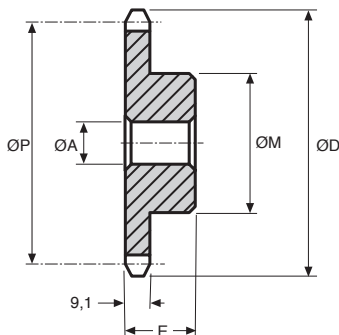


Options

- American pitch(ASA)
on request
- Custom made versions are available

Accessories

- SBS-625 chain



DISCOUNTS

Qty	1+	4+	10+
Disc.	List	-12%	On request

Part number	Z Teeth	ØP	ØD	ØM	*Pilot bore not guaranteed ØA	E	Price each. 1 to 3
PCS62-12/SS	12	61,34	68,0	42	12	30	33,00 €
PCS62-13/SS	13	66,32	73,0	47	12	30	36,14 €
PCS62-15/SS	15	76,36	83,0	57	12	30	44,01 €
PCS62-16/SS	16	81,37	88,0	60	14	30	49,43 €
PCS62-17/SS	17	86,39	93,0	60	14	30	52,67 €
PCS62-18/SS	18	91,42	98,3	70	14	30	65,88 €
PCS62-19/SS	19	96,45	103,3	70	14	30	66,87 €
PCS62-20/SS	20	101,49	108,4	75	14	30	77,15 €
PCS62-21/SS	21	106,52	113,4	75	16	30	74,37 €
PCS62-23/SS	23	116,58	123,4	80	16	30	93,22 €
PCS62-25/SS	25	126,66	134,0	80	16	30	110,81 €
PCS62-30/SS	30	151,87	158,8	90	20	35	132,88 €

Dimensions in mm

Our other products



CHAC4040NP

Square hinge with riveted pin, not drilled, Square with riveted pin,...



CHAR7530

Spring hinge, welded



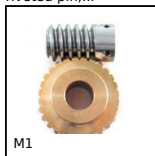
GP

Spring loaded toggle latch, With padlock-holder



PMC48_M8

Anti-vibration machine mount, Oval base plate



M1

Worm and wheel set, Bronze



HRV

V-rail guidance Simple Select® system, Rail with carriage



PRF_PA

Angle plate for aluminium profile, Adjustable plate



BUT

Panel stop, Panel stop



CHAL3

Piano hinge, Aluminium



SER69K-CLE

Quarter turn latch for the food industry, Stainless steel key



FDSQ

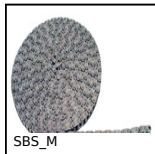
Flexible drive shaft, Masterflex® Steel, with PVC casing



GLB

Small 6 lobe threaded handle - female, Technopolymer - Brass

Complementary products



SBS_M

Single chain supplied by the metre, Stainless steel



PCS62

Chain sprocket - steel, 15.875 (DIN 10B-1)



TCXR

Automatic chain tensioner, With stainless steel sprocket



RLR

Roll-Ring® chain tensioner, Roll-Ring® Self-adjusting