

## 304 Stainless steel

## DIN 08B-1 1/2"

- Pitch 1/2" (12.7mm) (DIN 08B-1)
- Roller diameter 8.51mm
- Material:  
stainless steel AISI 304
- **We are unable to modify these parts**
- \*Pilot bore dimensions are given as a guide only and are subject to change

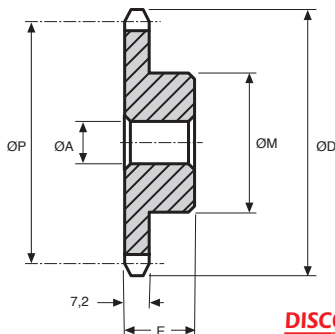


### Options

- American pitch (ASA) on request
- Custom made versions are available

### Accessories

- SBS-500 chain



stainless steel

### DISCOUNTS

Qty	1+	4+	10+
Disc.	List	-12%	On request

Part number	Z Teeth	ØP	ØD	ØM	*Pilot bore not guaranteed ØA	E	Price each. 1 to 3
PCS50-12/SS	12	49,07	53,0	33	10	28	23,13 €
PCS50-13/SS	13	53,06	57,4	37	10	28	25,74 €
PCS50-15/SS	15	61,09	65,5	45	10	28	29,29 €
PCS50-16/SS	16	65,10	69,5	50	12	28	31,37 €
PCS50-17/SS	17	69,11	73,6	52	12	28	33,41 €
PCS50-18/SS	18	73,14	77,8	56	12	28	38,55 €
PCS50-19/SS	19	77,16	81,7	60	12	28	40,88 €
PCS50-20/SS	20	81,19	85,8	64	12	28	45,12 €
PCS50-21/SS	21	85,22	89,7	68	14	28	49,81 €
PCS50-23/SS	23	93,27	98,2	70	14	28	56,01 €
PCS50-25/SS	25	101,33	105,8	70	14	28	66,87 €
PCS50-30/SS	30	121,50	126,1	80	16	30	99,67 €

Dimensions in mm

## Our other products



PTGP  
Tensioner pulley, For flat belts



PR820  
Idler sprocket for slat top chain, Rangs 820 and 815



MSP19  
Masterplate® glueable insert Ø19/Ø20, Cylindrical with nut



ADL\_F  
Female eye bolt conforms to DIN582, Steel



PCS\_PA6  
Plastic sprocket, 12.7mm (DIN 08B-1)



HS  
Hexagonal spacer, Stainless steel 303



RPCpl  
Swivel castor with plate, Steel - Polyamide



CAP820  
Slim slat top chain acetral, Narrow straight range 820



M2  
Worm and wheel set, Hardened steel



M0  
Worm and wheel set, Hardened steel

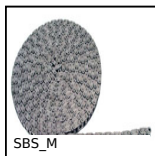


AT5P\_AT10P  
Connecting plate for AT type timing belts, AT5



PSG155  
Spur gear - precision range, Stainless steel 303

## Complementary products



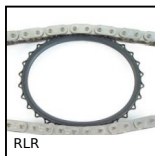
SBS\_M  
Single chain supplied by the metre, Stainless steel



PCS50  
Chain sprocket - steel, 12.7mm (DIN08B-1)



TCXR  
Automatic chain tensioner, With stainless steel sprocket



RLR  
Roll-Ring® chain tensioner, Roll-Ring® Self-adjusting