

304 Stainless steel

DIN 08B-1 1/2"

- Pitch 1/2" (12.7mm) (DIN 08B-1)
- Roller diameter 8.51mm
- Material:
stainless steel AISI 304
- **We are unable to modify these parts**
- *Pilot bore dimensions are given as a guide only and are subject to change

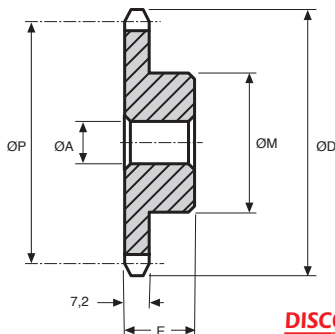


Options

- American pitch (ASA) on request
- Custom made versions are available

Accessories

- SBS-500 chain



stainless steel

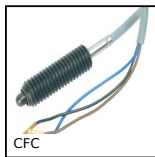
DISCOUNTS

Qty	1+	4+	10+
Disc.	List	-12%	On request

Part number	Z Teeth	OP	OD	OM	*Pilot bore not guaranteed OA	E	Price each. 1 to 3
PCS50-12/SS	12	49,07	53,0	33	10	28	23,13 €
PCS50-13/SS	13	53,06	57,4	37	10	28	25,74 €
PCS50-15/SS	15	61,09	65,5	45	10	28	29,29 €
PCS50-16/SS	16	65,10	69,5	50	12	28	31,37 €
PCS50-17/SS	17	69,11	73,6	52	12	28	33,41 €
PCS50-18/SS	18	73,14	77,8	56	12	28	38,55 €
PCS50-19/SS	19	77,16	81,7	60	12	28	40,88 €
PCS50-20/SS	20	81,19	85,8	64	12	28	45,12 €
PCS50-21/SS	21	85,22	89,7	68	14	28	49,81 €
PCS50-23/SS	23	93,27	98,2	70	14	28	56,01 €
PCS50-25/SS	25	101,33	105,8	70	14	28	66,87 €
PCS50-30/SS	30	121,50	126,1	80	16	30	99,67 €

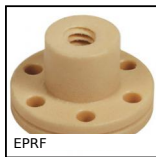
Dimensions in mm

Our other products



CFC

Spring loaded position switch, Electric contact



EPRF

High helix leadscrew, Flanged nut - up to 40mm per rotation



CABPVC

PVC covered galvanised steel cable, Galvanised steel with



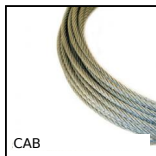
S_ZZ

Deep groove ball bearing, Stainless steel



EML

Stainless steel hexagonal headed thumb nut, Lobed handscrew



CAB

Stainless steel cable, Stainless steel



CPAS

Stay with safety catch, Opens upward



PSG35

Spur gear - precision ground, Stainless steel 316



PTRSS

Idle chain sprocket, For hostile environments



ATZY

Diabolo shaped elastomount, Steel



MEF

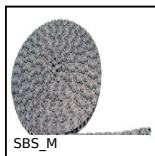
Cylindrical sintered ferrous bush, Self-lubricating FP20 ferrous all...



CMM_SS

Male rod ends DIN ISO12240-4, Stainless steel / bronze - Economy range

Complementary products



SBS_M

Single chain supplied by the metre, Stainless steel



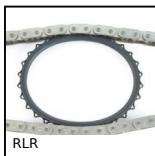
PCS50

Chain sprocket - steel, 12.7mm (DIN08B-1)



TCXR

Automatic chain tensioner, With stainless steel sprocket



RLR

Roll-Ring® chain tensioner, Roll-Ring® Self-adjusting