

Cell carrier assembly



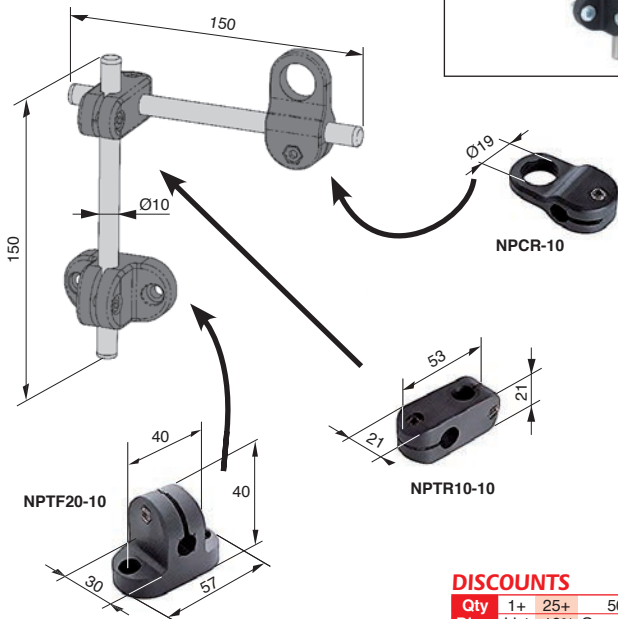
PCP

Supplied assembled

- Assembly comprises one base, two rods, one cross clamp and a cell carrier
- Material: reinforced polyamide
 - Rods: stainless steel (304) tube
 - Screws: stainless steel

Info.

- Can be mounted on PRF aluminium profile



DISCOUNTS

Qty	1+	25+	50+
Disc.	List	-10%	On request

Part number

PCP10-150

Stock*



Price each
1 to 24

30,48 €

*Depending on availability - Dimensions in mm

Our other products



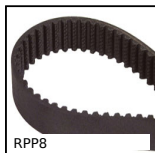
SLB

Indexing plunger,
stainless steel



AC144

Catch plate for toggle
latch, 22mm



RPP8

RPP-type belt HTD
compatible, RPP8



AC156-157

Catch plate for toggle
latch, 25.5mm



PM2

Worm, Machined
plastic (delrin)



EPL

Wing nuts Hygienic
Design®, Wide



SER

Hinged door
accessories, Magnetic
doorstop



SRG

Adjustable latch
clamp with catch-
plate, Stroke from
96mm to 121,7mm



MFB-MHB-ALI

Moulded plastic bevel
gear (blue nylon), 4:1



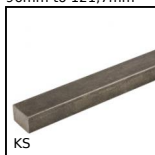
PRF_FIX_ANG

Fixing, Angular joint



HG5

Spur gear, Steel
20NCD2



KS

Key, Steel - Keystock

Complementary products



NPTR10

Adjustable cross
clamp, Adjustable



NPTF20

Fixed tube carrier,
Fixed Ø10 to Ø14



NPTR_M

Adjustable cross
clamp, Adjustable



NPCR

Cross block for
reflector, Adjustable