

Cell carrier assembly



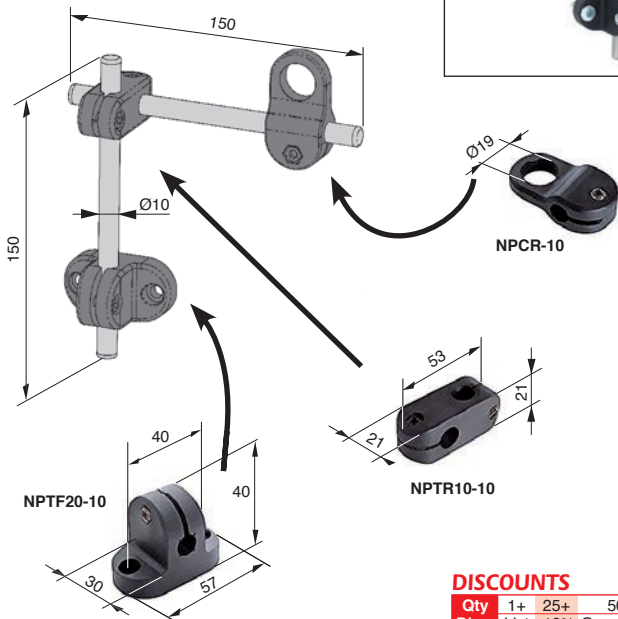
PCP

Supplied assembled

- Assembly comprises one base, two rods, one cross clamp and a cell carrier
- Material: reinforced polyamide
 - Rods: stainless steel (304) tube
 - Screws: stainless steel

Info.

- Can be mounted on PRF aluminium profile



DISCOUNTS

Qty	1+	25+	50+
Disc.	List	-10%	On request

Part number

PCP10-150

Stock*



Price each
1 to 24

30,48 €

*Depending on availability - Dimensions in mm

Our other products



VTHbr

Hexagonal headed screw VTH - DIN933, Brass



BUH77

Motor-gearbox 12V and 24V DC, from 0.1 to 2 Nm



DZYSS

Stainless steel cylindrical stop, stainless steel



PRF JL4

Lip seal for panel, Door seal - Ø 4mm



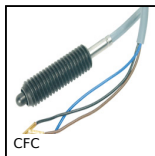
TS01_TW01

Dylin® T linear slide, up to 7000 N



ACLEPP

Right angled bracket for aluminium profile, 4 holes



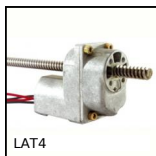
CFC

Spring loaded position switch, Electric contact



CDPC

Flanged drill bushing, Steel



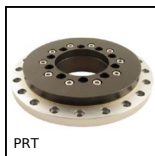
LAT4

4A motorised linear actuator, 4 amperes



G3

Steel spur gear, Steel 20NCD2



PRT

Rotary table iglidur®, aluminium



NJM

Multiple junction clamp, Multiple

Complementary products



NPTR10

Adjustable cross clamp, Adjustable



NPTF20

Fixed tube carrier, Fixed Ø10 to Ø14



NPTR_M

Adjustable cross clamp, Adjustable



NPCR

Adjustable cell support, Adjustable