



Clamp lever

With male thread

PCLAT
PCLATss

- Clamp lever with male thread and reduced tip according to DIN 78

- Materials:

Insert: steel (class 5.8) or stainless steel (303)

Handle: glass fibre reinforced polyamide plastic

Mechanism: splined diecast zinc

- Finish: Blackened steel, fine grained surface

- Matte surface with fine grains

- Colour: black

- Working temp.: -50°C to +130°C

Uses

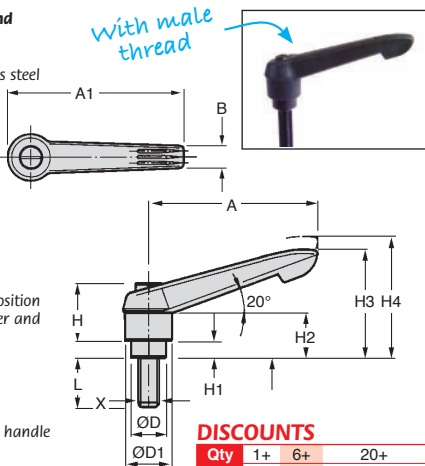
- The lever is normally in a locked position

- Raise the handle to release the lever and turn to required position

- When handle is released, lever will automatically lock in new position

Info.

- H4 = clearance height required for handle



DISCOUNTS

Qty	1+	6+	20+
Disc.	List	-10%	On request

Part number		Threaded bolt X	H1	L			ØD	ØD1	H
Steel	Stainless			Steel	StS				
PCLA01T5	PCLA01T5SS	M5	4,0	50	25	10,0	13,0	24,5	
PCLA01T6	PCLA01T6SS	M6	4,0	50	50	10,0	13,0	24,5	
PCLA02T8	PCLA02T8SS	M8	6,5	60	60	13,5	18,0	28,5	
PCLA02T10	PCLA02T10SS	M10	6,5	60	60	13,5	18,0	28,5	
PCLA03T10	PCLA03T10SS	M10	10,0	60	60	16,0	21,5	37,0	
PCLA04T10	-	M10	10,0	90	-	19,0	25,5	43,0	
PCLA04T12	PCLA04T12SS	M12	10,0	90	60	19,0	25,5	43,0	
PCLA05T12	-	M12	12,0	90	-	23,0	30,0	49,0	
PCLA05T16	PCLA05T16SS	M16	12,0	90	60	23,0	30,0	49,0	

Part number		Stock*							Price each 1 to 5		
Steel	Stainless	A	H2	H3	H4	A1	B	Steel	StS	Steel	Stainless
PCLA01T5	PCLA01T5SS	40	15,0	30,0	33,5	47,0	7,5	✓	✓	9,83 €	13,52 €
PCLA01T6	PCLA01T6SS	40	15,0	30,0	33,5	47,0	7,5	✓	✓	9,83 €	14,53 €
PCLA02T8	PCLA02T8SS	65	17,5	41,5	45,5	75,0	9,5	✓	✓	11,46 €	17,36 €
PCLA02T10	PCLA02T10SS	65	17,5	41,5	45,5	75,0	9,5	✓	✓	11,46 €	17,36 €
PCLA03T10	PCLA03T10SS	80	24,0	53,5	58,0	91,5	11,0	✓	✓	14,14 €	21,57 €
PCLA04T10	-	95	26,0	61,0	66,0	109,0	13,0	✓	-	18,72 €	-
PCLA04T12	PCLA04T12SS	95	26,0	61,0	66,0	109,0	13,0	✓	✓	18,72 €	31,50 €
PCLA05T12	-	110	33,0	72,0	77,0	126,0	15,5	-	-	23,18 €	-
PCLA05T16	PCLA05T16SS	110	33,0	72,0	77,0	126,0	15,5	-	-	23,18 €	37,27 €

*Depending on availability - Dimensions in mm

Our other products



CAP881
Side flexing slim slat top chain stainless steel, Narrow range 881



RBNpl
Swivel castor with plate, Steel - rubber



INO
Internal gear, Steel 20NCD2



DOMI30
Connecting kits, XY linking kit



CLG3
Moulded plastic spur gear, Moulded plastic (nylon)



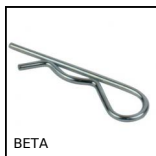
M1
Worm and wheel set, Machined plastic (delrin)



WJUM16
Drylin® W bearing block, Slide



DOMI50
Accessories, Fixing kit



BETA
Hitch pin, Hitch



S2B
Short linear bearing housing, Closed - Slim



SLV
Vertical toggle clamp, Vertical Lever Clamp - steel



PSG155
Spur gear - precision range, Stainless steel 316

Complementary products



CLB_T
Die cast zinc clamping lever - male, Zamak



CLASS
Stainless steel indexing handle - male, Stainless steel



PCLA_M
Technopolymer clamping lever - female, Plastic



CLB_M
Die cast zinc clamping lever - female, Zamak