

Clamp lever with threaded insert

PCLAM PCLAMSS

With thread insert

- Control lever with threaded insert

- Materials:

Insert: steel (class 5.8) or stainless steel (303)

Handle: glass fibre reinforced polyamide plastic

Mechanism: splined diecast zinc

- Finish: Blackened steel

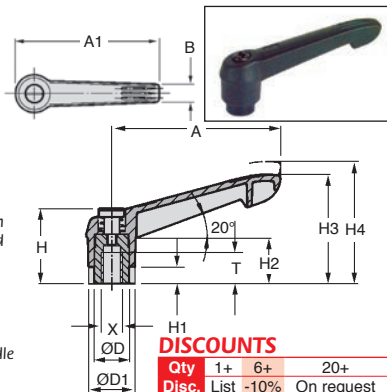
- Color : black

Uses

- The lever is normally in a locked position
- Raise the handle to release the lever and turn to required position
- When handle is released, lever will automatically lock in new position

Info.

- H4 = clearance height required for handle



| Part number | Thread | X | T | ØD | ØD1 | H | H1 | H2 |
|-------------|--------|----|------|------|------|------|------|----|
| PCLA01M4 | M4 | 9 | 10.0 | 13.0 | 24.5 | 4.0 | 15.0 | |
| PCLA01M5 | M5 | 9 | 10.0 | 13.0 | 24.5 | 4.0 | 15.0 | |
| PCLA01M6 | M6 | 9 | 10.0 | 13.0 | 24.5 | 4.0 | 15.0 | |
| PCLA02M6 | M6 | 12 | 13.5 | 18.0 | 28.5 | 6.5 | 17.5 | |
| PCLA02M8 | M8 | 12 | 13.5 | 18.0 | 28.5 | 6.5 | 17.5 | |
| PCLA03M8 | M8 | 14 | 16.0 | 21.5 | 37.0 | 10.0 | 24.0 | |
| PCLA03M10 | M10 | 14 | 16.0 | 21.5 | 37.0 | 10.0 | 24.0 | |
| PCLA04M10 | M10 | 17 | 19.0 | 25.5 | 43.0 | 10.0 | 26.0 | |
| PCLA04M12 | M12 | 17 | 19.0 | 25.5 | 43.0 | 10.0 | 26.0 | |
| PCLA05M12 | M12 | 23 | 23.0 | 30.0 | 49.0 | 12.0 | 33.0 | |
| PCLA05M16 | M16 | 23 | 23.0 | 30.0 | 49.0 | 12.0 | 33.0 | |

| Part number | | | | | | | | Stock* | | | |
|-------------|-------------|------|------|-----|-------|------|-------|--------|---------|-----------|--|
| Steel | Stainless | H3 | H4 | A | A1 | B | Steel | StS | Steel | Stainless | |
| PCLA01M4 | - | 30.0 | 33.5 | 40 | 47.0 | 7.5 | ✓ | - | 7.50 € | - | |
| PCLA01M5 | PCLA01M5SS | 30.0 | 33.5 | 40 | 47.0 | 7.5 | ✓ | - | 8.07 € | 12.64 € | |
| PCLA01M6 | PCLA01M6SS | 30.0 | 33.5 | 40 | 47.0 | 7.5 | ✓ | - | 8.07 € | 12.64 € | |
| PCLA02M6 | PCLA02M6SS | 41.5 | 45.5 | 65 | 75.0 | 9.5 | ✓ | - | 9.59 € | 14.87 € | |
| PCLA02M8 | PCLA02M8SS | 41.5 | 45.5 | 65 | 75.0 | 9.5 | ✓ | ✓ | 9.59 € | 14.87 € | |
| PCLA03M8 | PCLA03M8SS | 53.5 | 58.0 | 80 | 91.5 | 11.0 | ✓ | ✓ | 11.77 € | 18.30 € | |
| PCLA03M10 | PCLA03M10SS | 53.5 | 58.0 | 80 | 91.5 | 11.0 | ✓ | - | 11.77 € | 18.30 € | |
| PCLA04M10 | PCLA04M10SS | 61.0 | 66.0 | 95 | 109.0 | 13.0 | ✓ | - | 15.01 € | 26.45 € | |
| PCLA04M12 | PCLA04M12SS | 61.0 | 66.0 | 95 | 109.0 | 13.0 | ✓ | - | 15.01 € | 26.45 € | |
| PCLA05M12 | PCLA05M12SS | 72.0 | 77.0 | 110 | 126.0 | 15.5 | ✓ | - | 18.15 € | 31.89 € | |
| PCLA05M16 | PCLA05M16SS | 72.0 | 77.0 | 110 | 126.0 | 15.5 | ✓ | - | 18.15 € | 31.89 € | |

*Depending on availability - Dimensions in mm

Our other products



TCC_SS

Stainless steel rigging screw (hook/hook),
Stainless steel



PP50

Worm and wheel gear reducer, from 6.50 to
12.80 Nm



CHAE6555

Decorative screwed hinge, Aluminium



MHXred

Reducing sleeve male/female,
Hexagonal - steel



CHA1056-U4

Screwed hinge, 180°



BPF

Sheet steel flanged bearing for light loads, Sheet steel



BPM

Slotted spring plunger with ball tip, Steel



PGM52-M4

Pull handle, Aluminium



IN2

Internal gear, Steel
20NCD2



E40

Right angle helical reducers, from 2.30 to
20 Nm



CHTRB

Single and dual output gearboxes, Up
to 20 Nm



SLB

Indexing plunger,
steel class 5.8

Complementary products



CLB_M

Die cast zinc clamping lever - female, Zamak



CLASS

Stainless steel indexing handle - female, Stainless steel



PCLA_T

Technopolymer clamping lever - male, Plastic



CLB_T

Die cast zinc clamping lever - male, Zamak