

Clamp lever with threaded insert

PCLAM PCLAMSS

With thread insert

- Control lever with threaded insert

- Materials:

Insert: steel (class 5.8) or stainless steel (303)

Handle: glass fibre reinforced polyamide plastic

Mechanism: splined diecast zinc

- Finish: Blackened steel

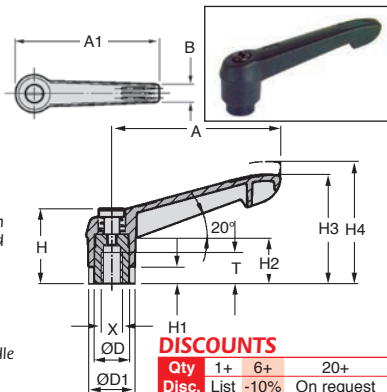
- Color : black

Uses

- The lever is normally in a locked position
- Raise the handle to release the lever and turn to required position
- When handle is released, lever will automatically lock in new position

Info.

- H4 = clearance height required for handle



DISCOUNTS

Qty	1+	6+	20+
Disc.	List	-10%	On request

Part number	Thread	X	T	ØD	ØD1	H	H1	H2
PCLA01M4	M4	9	10.0	13.0	24.5	4.0	15.0	
PCLA01M5	M5	9	10.0	13.0	24.5	4.0	15.0	
PCLA01M6	M6	9	10.0	13.0	24.5	4.0	15.0	
PCLA02M6	M6	12	13.5	18.0	28.5	6.5	17.5	
PCLA02M8	M8	12	13.5	18.0	28.5	6.5	17.5	
PCLA03M8	M8	14	16.0	21.5	37.0	10.0	24.0	
PCLA03M10	M10	14	16.0	21.5	37.0	10.0	24.0	
PCLA04M10	M10	17	19.0	25.5	43.0	10.0	26.0	
PCLA04M12	M12	17	19.0	25.5	43.0	10.0	26.0	
PCLA05M12	M12	23	23.0	30.0	49.0	12.0	33.0	
PCLA05M16	M16	23	23.0	30.0	49.0	12.0	33.0	

Part number								Stock*			
Steel	Stainless	H3	H4	A	A1	B	Steel	StS	Steel	Stainless	
PCLA01M4	-	30,0	33,5	40	47,0	7,5	✓	-	7,50 €	-	
PCLA01M5	PCLA01M5SS	30,0	33,5	40	47,0	7,5	✓	-	8,07 €	12,64 €	
PCLA01M6	PCLA01M6SS	30,0	33,5	40	47,0	7,5	✓	-	8,07 €	12,64 €	
PCLA02M6	PCLA02M6SS	41,5	45,5	65	75,0	9,5	✓	-	9,59 €	14,87 €	
PCLA02M8	PCLA02M8SS	41,5	45,5	65	75,0	9,5	✓	✓	9,59 €	14,87 €	
PCLA03M8	PCLA03M8SS	53,5	58,0	80	91,5	11,0	✓	✓	11,77 €	18,30 €	
PCLA03M10	PCLA03M10SS	53,5	58,0	80	91,5	11,0	✓	-	11,77 €	18,30 €	
PCLA04M10	PCLA04M10SS	61,0	66,0	95	109,0	13,0	✓	-	15,01 €	26,45 €	
PCLA04M12	PCLA04M12SS	61,0	66,0	95	109,0	13,0	✓	-	15,01 €	26,45 €	
PCLA05M12	PCLA05M12SS	72,0	77,0	110	126,0	15,5	✓	-	18,15 €	31,89 €	
PCLA05M16	PCLA05M16SS	72,0	77,0	110	126,0	15,5	✓	-	18,15 €	31,89 €	

*Depending on availability - Dimensions in mm

Our other products



PPG

Indexing plunger with flange, With horizontal mounting flange



UCFL_PBT

Stainless steel/Polymer flanged bearing, Polymer and stainless steel



PRS30

Stainless steel articulated foot Ø30, Ø 30



CHB

Worm and wheel gear reducer, up to 73 Nm



RPB

Ballscrew bearing unit, Support



BLHT40

Right angled gearbox, from 4 to 10.30 Nm



BIM

Indexing plunger mini, miniature



WS16

Drylin® W rail, Rail



PT880

Drive sprocket for slat top chain, Range 880



OP7

Mechanical digital position indicator, 5



RFK38C

Hypoid gearbox - Stainless steel, up to



SH0

Parallel axis helical gear, Steel 20NCD2

Complementary products



CLB_M

Die cast zinc clamping lever - female, Zamak



CLASS

Stainless steel indexing handle - female, Stainless steel



PCLA_T

Technopolymer clamping lever - male, Plastic



CLB_T

Die cast zinc clamping lever - male, Zamak