

# Female mushroom head handle

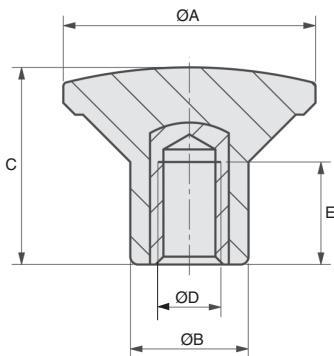
## PCH

## Technopolymer

- Handle for push/pull operations
- Material:
  - Black polyamide, matt surface finish
  - Brass insert

### Info

- For larger threads, see **GPB** spherical handles (Vol 1, Page 104)



### DISCOUNTS

Qty	1+	10+	20+	50+	100+	200+
Disc. Net	-5%	-10%	-15%	-20%	On request	

Part N°	ØA	ØB	C	ØD	E	Weight	Price each
						(g)	1 to 9
PCH26-M5	26	12	17	M5	8	8	1,37 €
PCH26-M6	26	12	17	M6	8	8	1,37 €
PCH32-M6	32	15	24	M6	13	13	1,88 €
PCH32-M8	32	15	24	M8	13	13	1,93 €

All dimensions in mm

**HPC**

WEB  
04/2021

www.hpceurope.com

Tél: 0 825 88 5000 Service 0,15 €/min + prix appel

## Our other products



RDCss

Rigging screw with 2 jaws stainless steel, Stainless steel



NCT\_AT

Variable angle connector, Variable angle



MSP38

Masterplate® glueable insert Ø38, Cylindrical Ø38 with threaded s...



CHM110

Worm and wheel gear reducer, up to 980 Nm



MO

Worm and wheel set, Machined plastic (delrin)



PPJ

Indexing plunger with flange, With horizontal mounting flange and pu...



CF

Cam follower, Standard - steel



PCP

Cell carrier assembly, Ready assembled



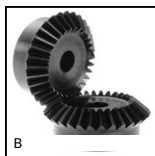
SH2

Parallel axis helical gear, Steel 20NCD2



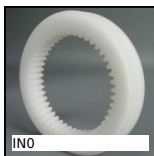
PRF\_GAL

Roller for aluminium profile, Fixing kit for roller concentric



B

Steel bevel gear, 1:1



INO

Internal gear, Machined plastic (delrin)

## Complementary products



GPB

Threaded spherical knob, Moulded thread



GPB

Threaded spherical knob, With brass insert