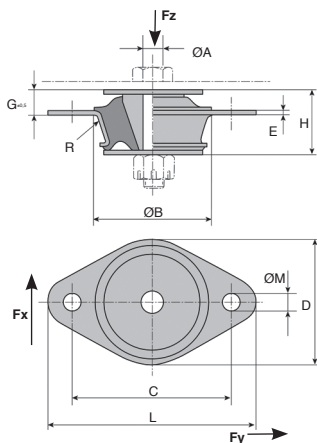
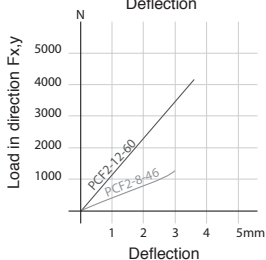
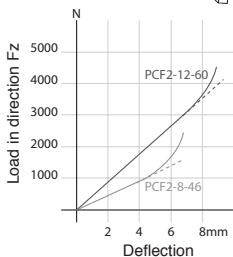
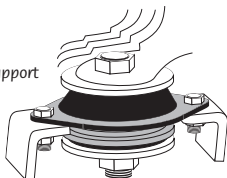
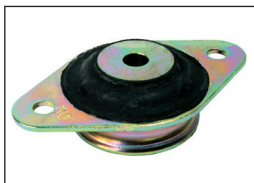


- With 2 fixing holes
- Suspension mainly by axial spring action
- Materials:
Centre: Natural rubber
(60 Shore A)
Support: steel

Uses

- Anti-vibration mounting support for motors and machines.



DISCOUNTS

Qty.	1+	6+	10+	20+	30+	50+
Disc.	List	-5%	-10%	-15%	-20%	On request

Part number	ØA	ØB	L	D	C	ØM	H	G	E	R	Stock*	Price each 1 to 5
PCF2-8-46	8	46	84	50	64	6.5	27,5	12,5	2,0	R1,5	✓	17,51 €
PCF2-12-60	12	60	106	68	80	11,0	51,0	16,5	2,5	R2	✓	17,51 €

*Depending on availability

Our other products



CM
Tools Hygienic Usit®
and Hygienic
Design®,
Combination spanner



WSRM
Cylindrical polymer
nut, Polymer
(Iglidur®) - 1 thread



KKSS
Rounded end feather
key, Stainless steel



EKN
Bellows coupling
Gerwah®, from 0.5 to
12Nm



PO
Pull handle - Multi-
sector, Tapped
recessed insert



PT820
Drive sprocket for slat
top chain, Ranges 820
and 815



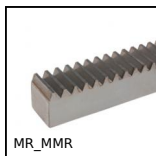
CHAM5270SS
Marine hinge for
welding/screw
mounting, Marine



CDGamme
Compression spring
DIN2095, DIN 2095



FF50
Offset spur gear
reducer, from 111 to
425 Nm



MR_MMR
Metric section rack,
Steel



ACLBT5
Spherical ended stop
for aluminium profile,
Spherical ended stop



RBGpl
Fixed castor with
plate, Steel - grey
rubber

Complementary products



PMC48_M8
Anti-vibration
machine mount, Oval
base plate



PCF4
Conical flexible
mount, Square base
plate