



# Fixed anti-vibration foot mount

For loads up to 35,000 N

PAV

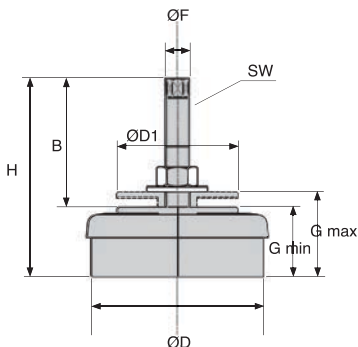
- Adjustable anti-vibration floor mount
- Fine thread for an accurate level
- Materials:
  - Body: Chromed sheet steel
  - Thread: Chromed steel
  - Base: Rubber NBR 80 shore

## Applications

- Machine tools, presses, injection machines, compressors.

## Info

- Supplied with 1 nut and 1 washer



## DISCOUNTS

Qty	1+	6+	10+	15+
Disc.	List	-5%	-10%	On request

Part number	ØD	ØF	B	ØD1	SW	G	H	Max load		Price each 1 to 5
								Dynamic (N)	Static (N)	
PAV80-M12C	80	M12x1,25	87	60	8	40-50	136	2500	5000	35,71 €
PAV120-M16C	120	M16x1,5	93	80	9	45-58	150	4000	10000	60,19 €
PAV160-M20C	160	M20x1,5	125	100	12	53-65	190	9000	20000	99,48 €
PAV200-M20C	200	M20x1,5	125	130	12	69-82	207	15000	35000	136,72 €

Dimensions in mm

## Our other products



ZG2  
Plastic spur gear,  
Machined plastic  
(delrin)



PRFSRAD  
Dual lock for  
aluminium profile,  
Quick fitting, self  
locking door du...



RFVfp  
Stainless steel worm  
and wheel gearboxes,  
Mounting bracket



GP  
Spring loaded toggle  
latch, With padlock-  
holder



CHAGC-AL  
Screw-in garnet  
hinge, Screw-on



UCFL\_PBT  
Stainless  
steel/Polymer flanged  
bearing, Polymer and  
stainless steel



PPOss  
Pad eye on mounting  
plate oval, Stainless  
steel



DOMI120  
Domino 120  
adjustable slide, Slide  
DOMILINE 120 with  
counter and han...



CFS  
Miniature cam  
follower, Miniature



PRESSHR  
Manual workbench  
press, Force up to



LFM2  
Steel leadscrew,  
Medium carbon steel -



SH0  
Parallel axis helical  
gear, Steel 20NCD2

Complementary products