

Pull handles **antistatic**

PAS Prevents occurrence of electrostatic spark

Eliminates electrical charges

- Materials :

Reinforced PA thermoplastic, graphite black (RAL9011)

Mounting

- Front or rear mounting

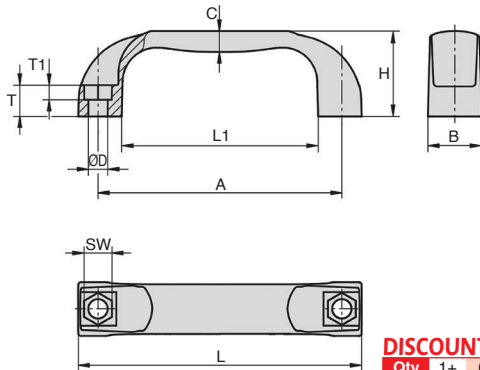
Advantages

- These products can be used for electrostatic discharge applications applications or areas where electrostatic discharge protection (EPA) in accordance with DIN EN61340-5-1

- The fastening hole is designed to accept the head of a cap or hexagon head screw or a hexagon nut



Antistatic



DISCOUNTS

Qty	1+	6+	20+	50+
Disc.	List	-5%	-15%	On request

Part number	A	B	C	ØD	H	L	L1	SW	T	T1	Load (N)	Price each
												1 to 5
PAS117-9	117	26	10	9	41	136	94	13	15	8	1500	11,42 €
PAS150-9	150	27	11	9	44	172	132	13	16	8	1500	15,84 €

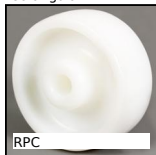
Dimensions in mm

Our other products



MSP3815

Masterplate® glueable insert rectangular, rectangular with



RPC

Wheel, Polyamide



FB_ECO

Eco. range steel bevel gear, 4:1



MFB

Flexible bellows coupling, Aluminium and Bronze - With set screw



CHAE6555

Decorative screwed hinge, Aluminium



LRR

Spring loaded latch, Spring loaded latch



BAN

Angular clamp, Adjustable



BOX-TOR-D

Box set of Nitrile O-rings in nitrile, 18.00 x 2.00mm to 50.00 x 5.00



NCT

Square tube connector, Fixed angle



CHMR40

Worm and wheel gear reducer, up to 57 Nm



VLBG

Lifting ring, Rotating



BABFCFO

Ball pin socket, Mounting collar with an oval flange

Complementary products



BEAS

Star shaped anti-static handle, Star, anti-static



BEAS

Knob star grip antistatic, Star, anti-static



EMAS

Antistatic knurled nut, Antistatic