

Pull handles **antistatic**

PAS Prevents occurrence of electrostatic spark

Eliminates electrical charges

- Materials :

Reinforced PA thermoplastic, graphite black (RAL9011)

Mounting

- Front or rear mounting

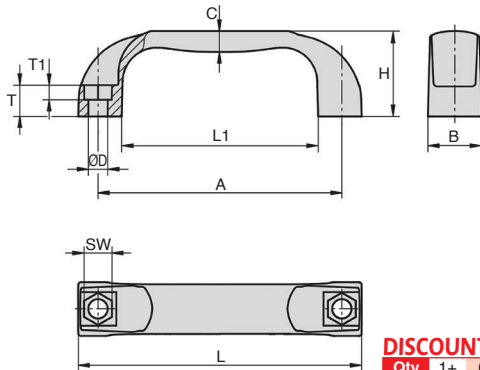
Advantages

- These products can be used for electrostatic discharge applications applications or areas where electrostatic discharge protection (EPA) in accordance with DIN EN61340-5-1

- The fastening hole is designed to accept the head of a cap or hexagon head screw or a hexagon nut



Antistatic



DISCOUNTS

Qty	1+	6+	20+	50+
Disc.	List	-5%	-15%	On request

Part number	A	B	C	ØD	H	L	L1	SW	T	T1	Load (N)	Price each
												1 to 5
PAS117-9	117	26	10	9	41	136	94	13	15	8	1500	11,42 €
PAS150-9	150	27	11	9	44	172	132	13	16	8	1500	15,84 €

Dimensions in mm

Our other products



AT5M AT10M
AT type timing belt per metre, AT10 Steel cored polyurethane



BTC_M
End cap with threaded insert for square tube, With threaded insert



PR105
Articulated foot Ø103, Ø 103



PX
Optional output shaft stainless steel, P gearboxes double sided outp...



PRF_CHA
Hinge for aluminium profile, Surface mounting hinge



TOC
Short swivel head, Short



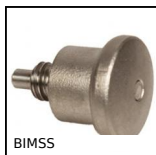
PTRSS
Idler chain sprocket, For hostile environments



EPE
Wing nuts Hygienic Design®, Narrow



KB_UU
Closed linear precision bearing, Precision - steel



BIMSS
Indexing plunger mini, miniature - Stainless steel



BIM
Indexing plunger mini, miniature



MLY_SS
Stainless steel bow shackle with eye bolt, Stainless steel

Complementary products



BEAS
Star shaped anti-static handle, Star, anti-static



BEAS
Knob star grip antistatic, Star, anti-static



EMAS
Antistatic knurled nut, Antistatic