

- Tilting foot
- Tilt: +/- 5° from vertical
- Materials:
 - Base and spindle: stainless steel 1.4301 (304)
 - Sole: vulcanised rubber (Shore hardness 90)
- Ø30 and Ø40mm bases available

Uses

- Laboratory furniture
- Medical and food industries

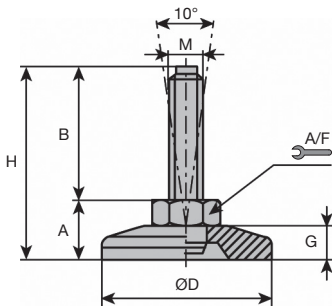
Note

- Values for static load given at 50% of spindle length. With dynamic or vibrating loads, value will be lower

Small sizes



solid stainless steel



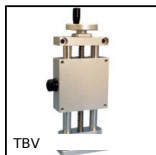
DISCOUNTS

Qty	1+	12+	20+	40+
Disc.	List	-5%	-10%	On request

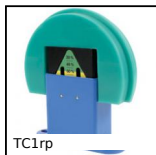
Part number	A	B	ØD	A/F	M	G	H	Static load (N)	Stock*	Price each 1 to 11
PAM30-8-25/SS	14	25	30	14	M8	8	39	8000	✓	17,85 €
PAM30-8-50/SS	14	50	30	14	M8	8	64	8000	✓	18,68 €
PAM30-10-25/SS	14	25	30	14	M10	8	39	8000	✓	17,85 €
PAM30-10-50/SS	14	50	30	14	M10	8	64	8000	✓	18,68 €
PAM30-10-75/SS	14	75	30	14	M10	8	89	8000	✓	22,12 €
PAM38-8-25/SS	14	25	40	14	M8	8	39	9000	✓	20,07 €
PAM38-8-50/SS	14	50	40	14	M8	8	64	9000	✓	22,03 €
PAM38-10-25/SS	14	25	40	14	M10	8	39	9000	-	20,07 €
PAM38-10-50/SS	14	50	40	14	M10	8	64	9000	✓	22,03 €
PAM38-10-75/SS	14	75	40	14	M10	8	89	9000	✓	23,52 €
PAM38-12-50/SS	14	50	40	14	M12	8	64	9000	✓	22,03 €
PAM38-12-100/SS	14	100	40	14	M12	8	114	9000	✓	25,18 €

*Depending on availability - Dimensions in mm

Our other products



TBV
Manual lifting tables,
20kg



TC1rp
Automatic chain
tensioner, With 180°
guide



BLHB40
Right angled gearbox,
bored shafts, up to
10.3 Nm



HTD8M_50
HTD Heavy duty
timing pulley, HTD8
Steel



WINGbrEcrou
Manually tightened
wing nut DIN315,
Brass DIN 315



RURt
Swivel castor with
central hole,
Polyurethane -
Aluminium rim (Free



HRV
V-rail guidance
Simple Select®
system, Rail with
carriage



PTAF100-PAMF100
Articulated fixable
foot with pressed
base Ø100, Ø 100



WJUM10
Drylin® W bearing
block, Slide



PRF4545r90
Standard aluminium
profile, 45 x 45 mm -
R90°



MFBS
Stainless steel flexible
bellows coupling,
Stainless steel - with
se...



CNA-CNG
Right angled
mounting plate, Right
angled mounting
plate for clevis

Complementary products



PRS30
Stainless steel
articulated foot Ø30,
Ø 30