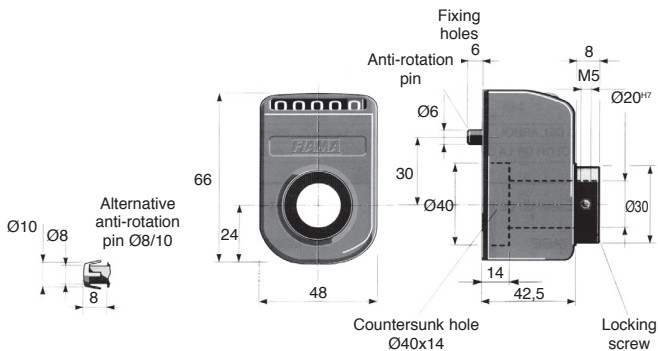


Digital position indicator

OP6DX
OP6SX

5 digit display

- 5 digit display (99999) with red digits for tenths/hundredths
- Shaft driven position indicator
- Displays linear or angular movement by use of mechanism driven by a rotating shaft
- Nonflammable polycarbonate case Protection IP64
Max. temperature 80°C
- Colour: orange
- Height of digits: 6mm.
- Standard bore for shaft 20H7, smaller bores will require use of reducing sleeve



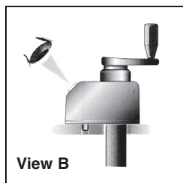
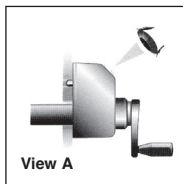
OP6DX OP6SX

Options

- Version with stainless steel parts available

Assembly

- Insert the indicator on to the shaft ensuring that the anti-rotation pin is inserted into the 6mm hole that should have been drilled previously. Reset the display to zero and secure the fixing screw.



DISCOUNTS

Qty	1+	5+	+10
Disc.	List	-15%	On request

Part number	View	Pitch (mm)	Display after one turn (mm)	Max. speed (rpm)	Counting direction	Stock*	Price each 1 to 4
OP6-A10-DX	A	1	001 0	300	clockwise	✓	68,49 €
OP6-A20-DX	A	2	002 0	300	clockwise	✓	68,49 €
OP6-A40-DX	A	4	004 0	200	clockwise	✓	68,49 €
OP6-A50-DX	A	5	005 0	200	clockwise	✓	68,49 €
OP6-A100-DX	A	10	010 0	150	clockwise	✓	68,49 €
OP6-B10-DX	B	1	001 0	300	clockwise	✓	68,49 €
OP6-B20-DX	B	2	002 0	300	clockwise	✓	68,49 €
OP6-B40-DX	B	4	004 0	200	clockwise	✓	68,49 €
OP6-B50-DX	B	5	005 0	200	clockwise	✓	68,49 €
OP6-B100-DX	B	10	010 0	150	clockwise	✓	68,49 €
OP6-A10-SX	A	1	001 0	300	anticlockwise	✓	68,49 €
OP6-A20-SX	A	2	002 0	300	anticlockwise	-	68,49 €
OP6-A40-SX	A	4	004 0	200	anticlockwise	✓	68,49 €
OP6-A50-SX	A	5	005 0	200	anticlockwise	✓	68,49 €
OP6-A100-SX	A	10	010 0	150	anticlockwise	-	68,49 €
OP6-B10-SX	B	1	001 0	300	anticlockwise	-	68,49 €
OP6-B20-SX	B	2	002 0	300	anticlockwise	-	68,49 €
OP6-B40-SX	B	4	004 0	200	anticlockwise	-	68,49 €
OP6-B50-SX	B	5	005 0	200	anticlockwise	-	68,49 €
OP6-B100-SX	B	10	010 0	150	anticlockwise	-	68,49 €

*Depending on availability - Dimensions in mm

Our other products



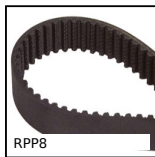
RAGb

Cylindrical brush track, For gentle conveying and handling



M1

Worm and wheel set, Machined plastic (delrin)



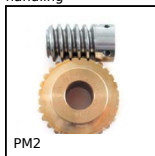
RPP8

RPP heavy duty timing belt, RPP8



PLM-SC

Magnetic stud with central countersunk hole, With milled bore



PM2

Worm and wheel set, Bronze



PTA80

Articulated levelling foot, pressed base Ø80, Ø 80



BPHT

Ball transfer unit bolt fitting, Heavy



FAD

Threaded swivel feet, Swivel feet without anti-slip plate



ZG4

Plastic spur gear, Machined plastic



M1

Worm and wheel set, Bronze



T39_T49

Extension spring in metre length steel, by



DBL805

Idler for slat top chain, Range 805

Complementary products



OP3_14_06

Reducing sleeve for OP indicators, Reduction socket



OPFL_OPFM

Numerical counter accessories, Locking clamp



LFM

Steel leadscrew, Medium carbon steel - 1 thread



SHA_PTR

Handwheel with folding handle, Polyamide