

Adjustable cross clamp

Pla  Stock

NPTR_M

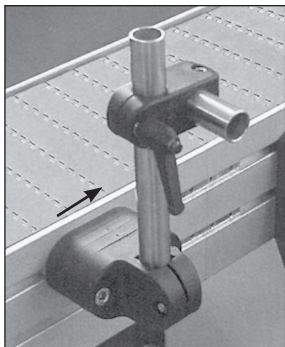
Quick adjustment

- For Ø14 to Ø20 round tube
- Materials:
 - Body: reinforced polyamide
 - Screws: stainless steel
 - Thread inserts: zinc plated steel

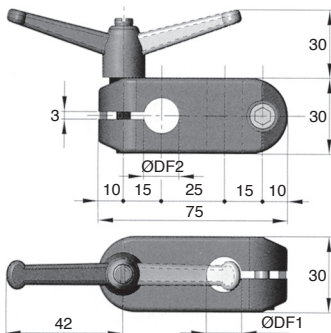
Accessories

- APB-F and APB-T adjusting rods

Quick adjustment



Typical application



DISCOUNTS

Qty	1+	30+	40+	60+
Disc.	List	-5%	-10%	On request

Part number	ØDF1	ØDF2	Weight (kg)	Stock*	Price each 1 to 29
NPTR14-14/M	14	14	0,09	✓	17,12 €
NPTR15-15/M	15	15	0,09	✓	17,12 €
NPTR16-16/M	16	16	0,09	✓	17,12 €
NPTR18-18/M	18	18	0,09	-	17,12 €
NPTR20-20/M	20	20	0,09	✓	17,12 €

*Depending on availability - Dimensions in mm

HPC

WEB
04/2020

www.hpceurope.com

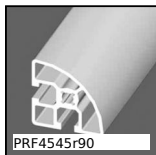
Tél: 0 825 88 5000 Service 0,15 €/min + prix appel

Our other products



WJUM10

Drylin® W bearing block, Slide



PRF4545r90

Standard aluminium profile, 45 x 45 mm - R90°



BSPT

Single rod clip, Round



ZB

Shaft for linear guides, Hardened ground stainless steel



PM2

Worm and wheel set, Hardened steel



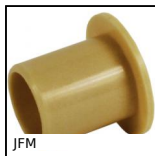
GG1

Ground spur gear, Heat treated steel



MHWC

Double-disc flexible coupling, Double disk



JFM

Flanged polymer bush, Universal polymer



PR105

Articulated foot Ø103, Ø 103



VPRM_M

Handwheel with handle,



DER90

Stainless steel AC asynchronous motor



AC

Strike for toggle latch, 12,13,18 and 20mm

Complementary products



APB_T

Adjusting rod for clamp - Female, Bored



APB_F

Adjusting rod for clamp - Male, Threaded



PCP

Cell carrier assembly, Ready assembled