

Adjustable cross clamp



NPTR

Standard version for 10mm + 12mm rods

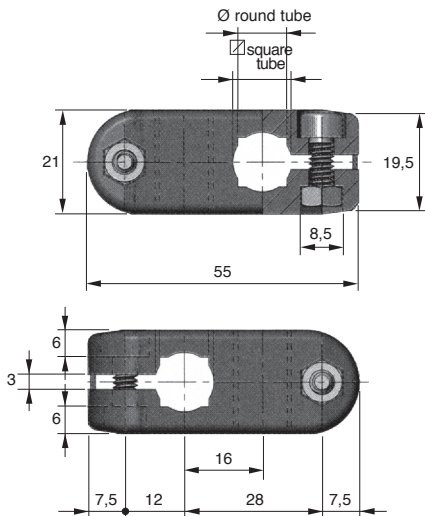
- For $\varnothing 10 + \varnothing 12$ round tubes or 8mm + 10mm square rods

- Materials:

Reinforced polyamide / Screws: stainless steel

Info.

- Not sold individually,
please contact us for details



DISCOUNTS

Qty	1+	30+	40+	60+
Disc. List	-5%	-10%	On request	On request

Part number	\varnothing round tube	\square square tube	Weight (kg)	Stock*	Price each 1 to 29
NPTR10-10	10	8	0,03	✓	5,86 €
NPTR12-12	12	10	0,03	✓	5,86 €

*Depending on availability - Dimensions in mm

HPC

WEB
04/2020

www.hpceurope.com

Tél: 0 825 88 5000 Service 0,15 €/min + prix appel

Our other products



CABma

Swaging sleeve for fitting cable, To crimp a wire rope



NKIB

Combined bearing with inner ring, Axial load in both directions



HW_HT

Half-rail guide, Rail



CHA38_SS

Stainless steel face frame hinge, Surface mount



PR40

Articulated foot Ø50, Ø 50



NCT

Square tube connector, Fixed angle



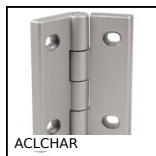
RAM35

Manual bevel gearbox, Bevel



LOQ

Manual lock, Manual latch



ACLCHAR

Hinge for aluminium profile, With elongated holes



BCM_CC

Modular cylindrical brush, Horsehair bristles



TOL

Swivel head, Long



AFSE

Locking pin with interlocking safety latch, with interlocking safety...

Complementary products



APB_T

Adjusting rod for clamp - Female, Bored



APB_F

Adjusting rod for clamp - Male, Threaded