

# Adjustable cross clamp



## NPTR<sub>M</sub>

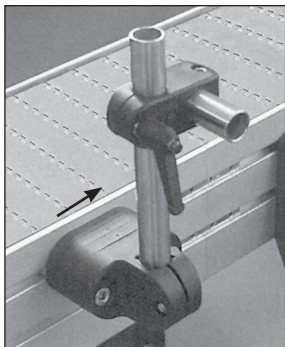
## Quick adjustment

- For Ø14 to Ø20 round tube
- Materials:
  - Body: reinforced polyamide
  - Screws: stainless steel
  - Thread inserts: zinc plated steel

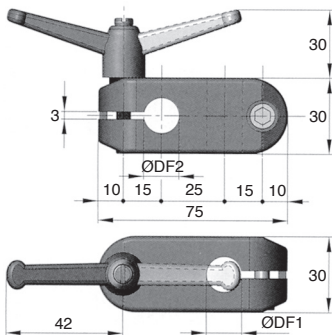
### Accessories

- APB-F and APB-T adjusting rods

Quick adjustment



Typical application



### DISCOUNTS

Qty	1+	30+	40+	60+
Disc.	List	-5%	-10%	On request

Part number	ØDF1	ØDF2	Weight (kg)	Stock*	Price each 1 to 29
NPTR14-14/M	14	14	0,09	✓	17,12 €
NPTR15-15/M	15	15	0,09	✓	17,12 €
NPTR16-16/M	16	16	0,09	✓	17,12 €
NPTR18-18/M	18	18	0,09	-	17,12 €
NPTR20-20/M	20	20	0,09	✓	17,12 €

\*Depending on availability - Dimensions in mm

HPC

WEB  
04/2020

www.hpceurope.com

Tél: 0 825 88 5000 Service 0,15 €/min + prix appel

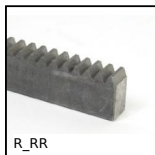
## Our other products



PSG35  
Spur gear - precision range, Stainless steel 303



VTLM  
3 lobed handle, Polyamide - Steel



R\_RR  
Narrow spur rack, Steel



SUA4\_L  
Chain link, Steel



P20  
Worm and wheel gear reducer, up to 5 Nm



HK  
Manual locking clamp, Manual locking clamp LWH



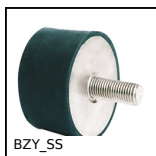
RPCpl  
Fixed castor with plate, Steel - Polyamide



H02  
Single needle roller universal joint, Heavy duty



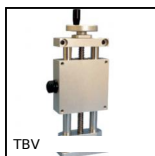
Gdal  
Double universal joint eco series, Low duty



BZY\_SS  
Stainless steel cylindrical elasto



CHM50  
Worm and wheel gear reducer, up to 107



TBV  
Manual lifting tables, 7kg

## Complementary products



APB\_T  
Adjusting rod for clamp - Female, Bored



APB\_F  
Adjusting rod for clamp - Male, Threaded



PCP  
Cell carrier assembly, Ready assembled