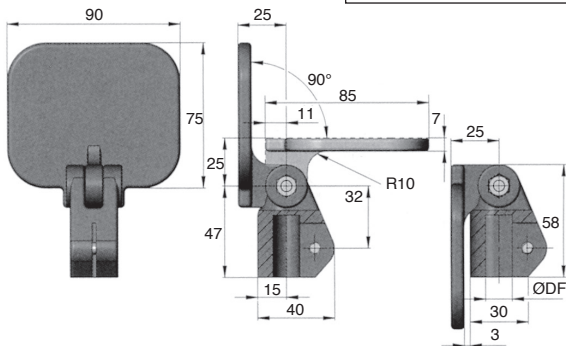


- For round tube
- Materials:  
Body: reinforced polyamide  
Screws: stainless steel

### Accessories

- APB-F and APB-T adjusting rods



### DISCOUNTS

Qty	1+	30+	40+	60+
Disc. List	-	-5%	-10%	On request

Part number	ØDF	Weight (kg)	Stock*	Price each 1 to 29
NPR-12	12	0,1	✓	23,01 €
NPR-14	14	0,1	✓	23,01 €
NPR-15	15	0,1	-	23,01 €
NPR-16	16	0,1	-	23,01 €
NPR-18	18	0,1	-	23,01 €
NPR-20	20	0,1	-	23,01 €

\*Depending on availability - Dimensions in mm

## Our other products



PR125  
Articulated foot Ø123,  
Ø 123



BPLF  
Ball transfer unit light  
duty, Light



HTD14M\_55  
HTD Heavy duty  
timing pulley, HTD14  
Steel



PR882  
Idler sprocket for slat  
top chain, Range 882



PSG125  
Spur gear - precision  
range, Pre-hardened  
Steel 35NCD6



PCM  
Fixed cylindrical  
handle, Fixed non-  
turning handle



FBL6000\_K13  
Brush strip per meter  
PP fibres Ø0.2, Black  
striated polypropylene



DOM150  
Connecting kits, XZ  
linking kit



CLASS  
Stainless steel  
indexing handle -



PLC\_PLT  
Magnetic stud with  
threaded hole, With



RPPM  
RPP type belt per  
metre, RPP14 Steel



UFX  
Uneflex® elastic  
coupling, range

## Complementary products



APB\_F  
Adjusting rod for  
clamp - Male,  
Threaded



APB\_T  
Adjusting rod for  
clamp - Female, Bored



PCP  
Cell carrier assembly,  
Ready assembled