

Adjustable sensor support



NPCR

Plastic

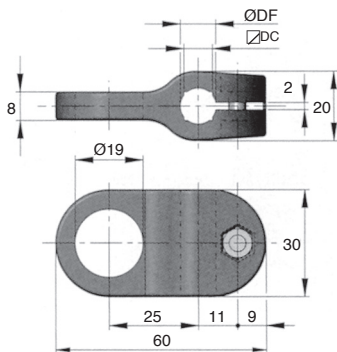
- For round or square tube
- Materials:
 - Body: reinforced polyamide
 - Screws: stainless steel

Info.

- Not sold individually, please contact us for details

Accessories

- APB-F and APB-T adjusting rods
- Various types of sensors



DISCOUNTS

Qty	1+	30+	40+	60+
Disc.	List	-5%	-10%	On request

Part number	ØDF	∅ DC	Weight (kg)	Stock*	Price each 1 to 29
NPCR-10	10	8	0,02	✓	5,64 €
NPCR-12	12	10	0,02	✓	5,64 €
NPCR-14	14	12	0,02	✓	6,13 €

*Depending on availability - Dimensions in mm

HPC

WEB
04/2020

www.hpceurope.com

Tél: 0 825 88 5000 Service 0,15 €/min + prix appel

Our other products



PPRss
Pad eye on mounting plate, Stainless steel



BOX-TOR-ORFS
Box set of Nitrile O-rings, 7.65 x 1.78mm to 37.82 x 1.78



FB_ECO
Bevel gear - Steel C43, 4:1



GPLso
Brush, silk



GLT16
Telescopic slide rule, Miniature



CHT71
3 phase AC asynchronous motor, 0.18 to 0.55kW



ACLCHARJ
Hinges and joints, Adjusts in 2 directions



ETP
Doorstop and handle, Modular handle



LRM
Trapezoidal nut, Bronze - 1 thread



CLM
Male clevis end, Steel short



HTD8M_50
HTD-type pulley for RPP-type belt, HTD8 Steel



VRC1
Retaining catch, Single sided

Complementary products



APB_T
Rod for clamp, Bored



APB_F
Rod for clamp, Threaded



PCP
Sensor support assembly, Ready assembled