

NPCR

Plastic

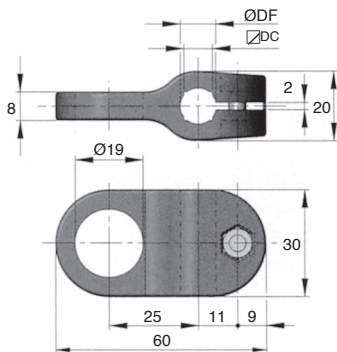
- For round or square tube
- Materials:
Body: reinforced polyamide
Screws: stainless steel

Info.

- Not sold individually, please contact us for details

Accessories

- APB-F and APB-T adjusting rods
- Various types of sensors



DISCOUNTS

Qty	1+	30+	40+	60+
Disc.	List	-5%	-10%	On request

Part number	ØDF	□ DC	Weight (kg)	Stock*	Price each 1 to 29
NPCR-10	10	8	0,02	✓	5,64 €
NPCR-12	12	10	0,02	✓	5,64 €
NPCR-14	14	12	0,02	✓	6,13 €

*Depending on availability - Dimensions in mm

Our other products



PSG05
Spur gear - precision range, Pre-hardened Steel 35NCD6



HLUT
Spoked handwheel with handle, Aluminium



RFV40
Stainless steel worm and wheel gearbox, up to 47 Nm



SHN
Hexagonal nut DIN934, Steel (Class 6|8|)



PRF_SDD_1820
Support for Ø18 or Ø20mm Prox detector, Ø18 and Ø20



CHTRP
Single and dual output gearboxes, Up to 34,5 Nm



CHMX_CHMDX
Shaft for worm and wheel reducer CHMR and CHM, CHMR and CHM gearbox...



RBG
Wheel, Grey rubber - Polypropylene rim



DER90
Stainless steel AC asynchronous motor



H3
Crossed helical gear crossed axis at 90°



MSP38
Masterplate® glueable insert Ø38,



TRM
Spur round rack, Steel - module 1-6

Complementary products



APB_T
Adjusting rod for clamp - Female, Bored



APB_F
Adjusting rod for clamp - Male, Threaded



PCP
Cell carrier assembly, Ready assembled