



DryLin® N miniature guiding system

Load up to 1000N

NK80 NW80

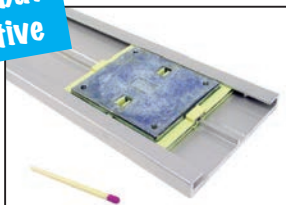
**Small but
effective**

- Linear rail with polymer slide
- Reduced size (both height and surface)
- Dry working, no maintenance required
- Not affected by dust
- Corrosion-resistant
- Reduced coefficient of friction means wear is reduced
- Reduced weight thanks to use of a combination of aluminium and plastic
- Very high speeds and acceleration possible
- Replaceable sliding parts in iglidur® J
- Materials:

Slide body: Plastic

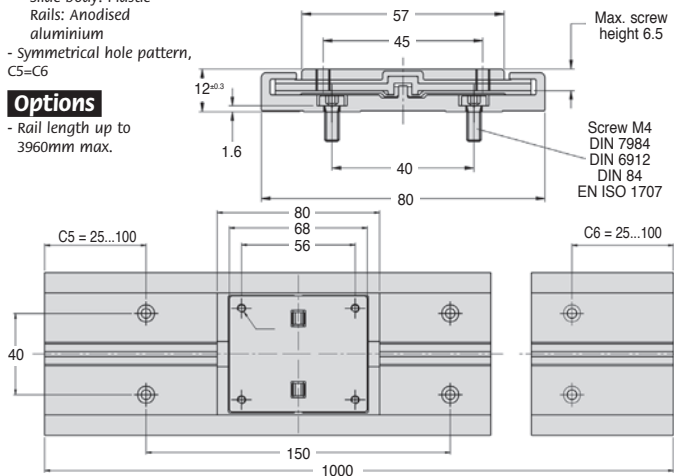
Rails: Anodised aluminium

- Symmetrical hole pattern, C5=C6



Options

- Rail length up to 3960mm max.



DISCOUNTS

Qty	1+	5+	10+
Disc.	List	-6%	On request

Part number	Type	Weight (g)	Stock*	Price each 1 to 4
NK02-80-1000	1 Rail (1000mm) + 1 slide	1240	✓	106,74 €
NW02-80	1 slide only	100	✓	14,12 €

*Depending on availability - Dimensions in mm

Our other products



EMR

Fast-locking knurled
nut, Knurled



DCA

Suction cup, 1.5
bellows, natural
rubber



BPPE

Ball transfer unit push
fit, Light



PGMSS

Stainless steel pull
handle, Stainless steel



YG1

HEAVY DUTY spur
gear, Steel 35NCD6



ZG0

Plastic spur gear,
Machined plastic
(delrin)



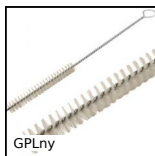
CFES

Eccentric cam
follower, Eccentric



BSM_LOK

Long-Lok spring
plunger with internal
hexagonal socket,
LONG-LOK - s...



GPLny

Brush, nylon



BABS303

303 Stainless steel
compact ball pin,



EIM

Stainless steel U bolt,
Stainless steel



UGPL

Actuator guide kit,
Long bearing

Complementary products



NSKB

Drylin® Rail end cap,
Rail end cap