

Variable angle connector



NCTAT

Plastic

- For square tube $\varnothing 25 \times 25 \times 1.5$ mm
- Materials:
Body: reinforced polyamide
Screws: stainless steel

Info.

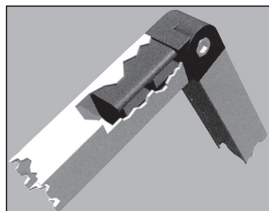
- Not sold individually, please contact us for details

Accessories

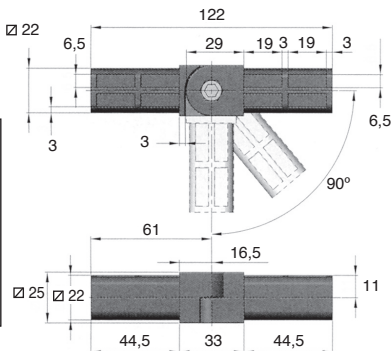
- Structural tube **TUBE**
- Slide profiles **PGT**
- Support profiles **PSP**



Adjustable



Example of use



DISCOUNTS

| Qty | 1+ | 20+ | 30+ |
|-------|------|------|------------|
| Disc. | List | -10% | On request |

| Part number | Weight (kg) | Type | Stock* | Price each 1 to 19 |
|-------------|-------------|------|--------|--------------------|
| NCT25-25AT | 0.12 | AT | ✓ | 11,23 € |

*Depending on availability - Dimensions in mm

HPC

WEB
04/2020

www.hpceurope.com

Tél: 0 825 88 5000 Service 0,15 €/min + prix appel

Our other products



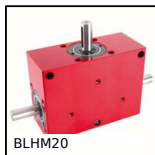
EHD08-9

Internal epicyclic servo reducers, from 35 to 50 Nm



BPTR

End cap for round tube, Standard



BLHM20

Right angled gearbox, double output shafts, up to 1.77 Nm



UGH32

H Type Guide units, For Ø32 actuators



PO

Pull handle - Multi-sector, Tapped recessed insert



SRG

Adjustable latch clamp with strike plate, Stroke from 77,3mm to 83mm



NT121

Spur gear coaxial gearbox, from 20 to 68 Nm - In-line



PMB

Anti-vibration machine mount, Oval base plate



BSCf

Knurled torque knobs - female, Knurled



CDGamme

Compression spring DIN2095, DIN 2095



D19 D29

Compression springs in metre length



STRIPf

Sealing brush strip, 1m length

Complementary products



TUBE25_25

Square Tube, Aluminium or Stainless steel



NCT

Square tube connector, Fixed angle



NCT

Square tube connector, Fixed angle



NCT

Square tube connector, Fixed angle