



Stainless steel bow shackle with eye bolt

Pin diameters 5-20mm

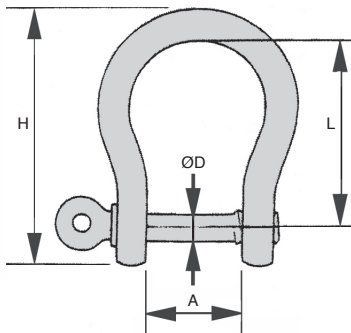
MLYss

- Lifting shackle
- Material: Stainless steel 316
- No marking on the product

Info.

- SWL: safe working load.
- The Safe Working Load is calculated by dividing the Breaking Strength by a factor of safety of 5.

stainless steel



DISCOUNTS

Qty	1+	5+	10+	20+	30+
Disc.	List	-5%	-10%	-15%	On request

Part number	Pin ØD	A	L	H	SWL (kg)	Weight (kg)	Stock*	Price each 1 to 4
MLY1-05/SS	5	10,0	20,0	30	190	0,015	✓	3,74 €
MLY1-06/SS	6	13,0	26,0	38	360	0,030	✓	3,93 €
MLY1-08/SS	8	17,0	34,0	50	540	0,080	✓	4,95 €
MLY1-10/SS	10	19,0	45,0	65	720	0,130	✓	8,02 €
MLY1-12/SS	12	24,6	54,0	72	1080	0,245	✓	14,53 €
MLY1-14/SS	13	28,0	65,0	91	1260	0,375	✓	19,72 €
MLY1-16/SS	16	33,0	71,0	105	1680	0,450	-	29,38 €
MLY1-20/SS	19	40,0	92,5	133	2400	0,860	-	55,53 €

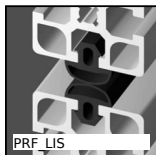
*Depending on availability - Dimensions in mm

Our other products



BSM

Spring plunger with internal hexagonal socket, stainless steel 303 b...



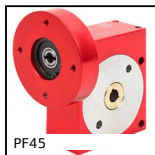
PRF LIS

Door seal for aluminium profile, Black NBR



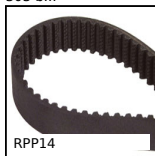
ETGamme

Extension springs DIN2097, DIN 2097



PF45

Worm and wheel gear reducer, up to 40 Nm



RPP14

RPP heavy duty timing belt, RPP14



LRM

Trapezoidal bronze nut, Bronze - 1 thread



BC3

Panamech, Multi-Beam stainless steel, Stainless steel - with clampin...



UTKpwrr

V shaped channel UtiliTrak®, V rail



RLR

Roll-Ring® chain tensioner, Roll-Ring®



TCLar

Automatic chain tensioner, With wide



NRV

Orthogonal support clamp, Orthogonal



GE

Toggle latches, Standard

Complementary products



MLY

Bow shackle with eye bolt, Steel



MDR_SS

Stainless steel Dee shackle with eye bolt, Stainless steel