



Stainless steel bow shackle with eye bolt

Pin diameters 5-20mm

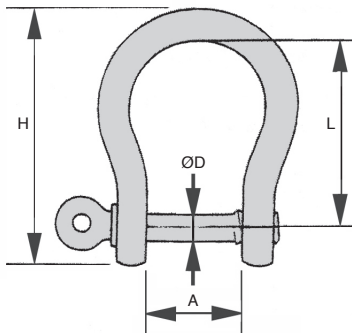
MLYss

- Lifting shackle
- Material: Stainless steel 316
- No marking on the product

Info.

- SWL: safe working load.
- The Safe Working Load is calculated by dividing the Breaking Strength by a factor of safety of 5.

stainless steel



DISCOUNTS

Qty	1+	5+	10+	20+	30+
Disc.	List	-5%	-10%	-15%	On request

Part number	Pin ØD	A	L	H	SWL (kg)	Weight (kg)	Stock*	Price each 1 to 4
MLY1-05/SS	5	10,0	20,0	30	190	0,015	✓	3,74 €
MLY1-06/SS	6	13,0	26,0	38	360	0,030	✓	3,93 €
MLY1-08/SS	8	17,0	34,0	50	540	0,080	✓	4,95 €
MLY1-10/SS	10	19,0	45,0	65	720	0,130	✓	8,02 €
MLY1-12/SS	12	24,6	54,0	72	1080	0,245	✓	14,53 €
MLY1-14/SS	13	28,0	65,0	91	1260	0,375	✓	19,72 €
MLY1-16/SS	16	33,0	71,0	105	1680	0,450	-	29,38 €
MLY1-20/SS	19	40,0	92,5	133	2400	0,860	-	55,53 €

*Depending on availability - Dimensions in mm

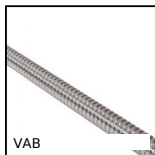
Our other products



SH4
Parallel axis helical gear, Steel 20NCD2



BPHF
Ball transfer unit push fit, Heavy



VAB
Ballscrew, supplied by the metre, Rolled ballscrew, per metre



PSEC
Security pull handle, Thermoplastic



DPAK_DKON
Conical elasto buffer, Steel



PRF_PL_9090
Joining plate for aluminium profile, Joint plate - 90x90 mm



YG1
HEAVY DUTY spur gear, Steel 35NCD6



ACLRP
Wheel for aluminium profile, Integrated bearing



PCLA_M
Technopolymer clamping lever - female, Plastic



TSM_T10M
T type timing belt per metre, T10 Steel cored polyurethane



E20
Right angle helical reducers, from 0.60 to 3.84 Nm



EHD12
Internal epicyclic servo reducers, from 60 to 140 Nm

Complementary products



MLY
Bow shackle with eye bolt, Steel



MDR_SS
Stainless steel Dee shackle with eye bolt, Stainless steel