

Bow shackle with eye bolt



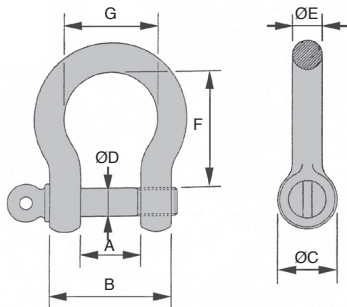
MLY

Pin diameters 5-20mm

- **Lifting shackle**
- Marked with pin diameter, SWL and CE mark.
- **Material:**
Shackle : Steel Fe430B zinc treated

Info.

- SWL: Safe working load.
The Safe Working Load is calculated by dividing the Breaking Strength by a factor of safety of 5.
- **Not sold individually, please contact us for details.**



DISCOUNTS

| Qty | 1+ | 5+ | 10+ | 20+ | 30+ | 50+ |
|-------|------|-----|------|------|------|------------|
| Disc. | List | -5% | -10% | -15% | -20% | On request |

| Part number | Pin ØD | A | B | ØC | ØE | F | G | SWL (kg) | Weight (kg) | Stock* | Price each 1 to 4 |
|-------------|--------|----|----|----|----|----|----|----------|-------------|--------|-------------------|
| MLY1-05 | 5 | 8 | 18 | 10 | 5 | 19 | 15 | 100 | 0,020 | ✓ | 2,86 € |
| MLY1-06 | 6 | 12 | 24 | 12 | 6 | 24 | 18 | 160 | 0,030 | ✓ | 2,98 € |
| MLY1-08 | 8 | 15 | 31 | 16 | 8 | 32 | 24 | 250 | 0,070 | ✓ | 3,24 € |
| MLY1-10 | 10 | 18 | 38 | 20 | 10 | 38 | 30 | 400 | 0,130 | ✓ | 4,39 € |
| MLY1-12 | 12 | 22 | 48 | 24 | 12 | 50 | 36 | 630 | 0,230 | ✓ | 8,01 € |
| MLY1-14 | 14 | 24 | 53 | 28 | 15 | 56 | 42 | 800 | 0,370 | ✓ | 9,50 € |
| MLY1-16 | 16 | 27 | 61 | 32 | 17 | 64 | 48 | 1000 | 0,560 | - | 11,80 € |
| MLY1-18 | 18 | 36 | 72 | 36 | 18 | 72 | 54 | 1300 | 0,780 | ✓ | 18,09 € |
| MLY1-20 | 20 | 37 | 78 | 41 | 20 | 79 | 60 | 1600 | 1,090 | ✓ | 19,17 € |

*Depending on availability - Dimensions in mm

HPC

WEB
04/2020

www.hpceurope.com

Tél: 0 825 88 5000 Service 0,15 €/min + prix appel

Our other products



FDSQ

Flexible drive shaft,
Masterflex® Steel,
with PVC casing



CFS

Miniature cam
follower, Miniature



PPRss

Pad eye on mounting
plate round, Stainless
steel



BUT

Panel stop, Panel stop



TCLar

Automatic chain
tensioner, With wide
guide



GG1

Ground spur gear,
Heat treated steel



NKIB

Combined bearing
with inner ring, Axial
load in both directions



LVT

Miniature motorised
actuator 1A, 1 amper



CHMR110

Worm and wheel gear
reducer, up to 980
Nm



HLC28

Right angle spiro
bevel gearbox, Up to
182Nm



MEB

Moulded plastic bevel
gear (nylon), 1:1



RPP

Connecting plate for
RPP type timing belts,
RRP5

Complementary products



MLY_SS

Stainless steel bow
shackle with eye bolt,
Stainless steel



MDR

Dee shackle with eye
bolt, Steel