

Hexagonal threaded sleeves

Sta Ste

MHX

Steel or **stainless steel**

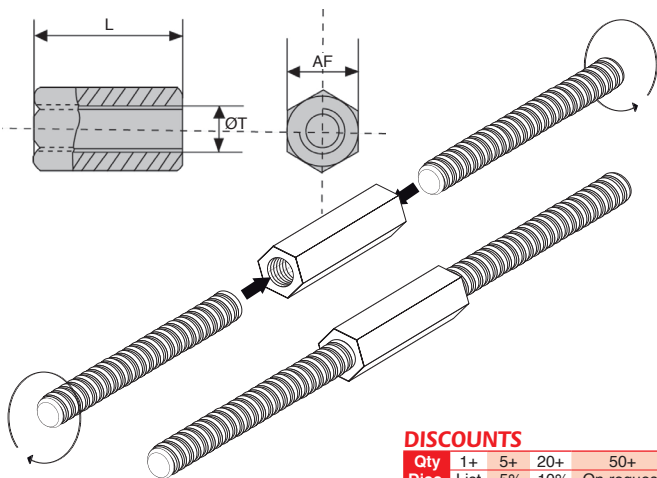
- Hexagonal sleeves, through threaded
- Suitable for joining threaded bars
- Materials:
 - Zn3-5BL galvanised steel S300Pb
 - Stainless steel 303
- Sold by the packet

Accessory

- Threaded bar TIFss



steel or stainless steel



DISCOUNTS

Qty	1+	5+	20+	50+
Disc.	List	-5%	-10%	On request

Part number		Thread	Qty per packet	Stock*		Price per packet 1 to 4			
Steel	Stainless steel			Steel	Stainless steel	Steel	Stainless steel		
MHX3-10/B	MHX3-10/SS/B	M3	10	5,5	20	✓	-	4,52 €	14,79 €
MHX3-12/B	MHX3-12/SS/B	M3	12	5,5	20	-	-	4,64 €	16,36 €
MHX3-15/B	MHX3-15/SS/B	M3	15	5,5	20	✓	-	5,12 €	18,01 €
MHX3-18/B	-	M3	18	5,5	20	-	-	5,62 €	-
MHX3-20/B	-	M3	20	5,5	20	✓	-	6,04 €	-

*Depending on availability - Dimensions in mm

HPC

WEB
04/2020

www.hpceurope.com

Tél: 0 825 88 5000 Service 0,15 €/min + prix appel



MHX

DISCOUNTS

Qty	1+	5+	20+	50+
Disc.	List	-5%	-10%	On request

Part number		Thread			Qty per packet	Stock*		Price per packet 1 to 4	
Steel	Stainless steel	ØT	L	AF		Steel	Stainless steel	Steel	Stainless steel
MHX4-10/B	MHX4-10/SS/B	M4	10	7,0	20	-	-	4,71 €	17,05 €
MHX4-12/B	MHX4-12/SS/B	M4	12	7,0	20	-	-	4,99 €	19,08 €
MHX4-15/B	MHX4-15/SS/B	M4	15	7,0	20	-	-	5,46 €	21,23 €
MHX4-18/B	-	M4	18	7,0	20	-	-	5,93 €	-
MHX4-20/B	-	M4	20	7,0	20	✓	-	6,66 €	-
-	MHX5-12/SS/B	M5	12	8,0	20	-	✓	-	22,52 €
MHX5-15/B	MHX5-15/SS/B	M5	15	8,0	20	✓	-	6,93 €	23,77 €
-	MHX5-18/SS/B	M5	18	8,0	20	-	-	-	25,12 €
MHX5-20/B	MHX5-20/SS/B	M5	20	8,0	20	✓	✓	9,61 €	25,56 €
MHX5-25/B	-	M5	25	8,0	20	-	-	10,32 €	-
MHX6-15/B	MHX6-15/SS/B	M6	15	10,0	20	✓	✓	5,79 €	32,70 €
MHX6-18/B	MHX6-18/SS/B	M6	18	10,0	20	-	-	6,33 €	29,67 €
MHX6-20/B	MHX6-20/SS/B	M6	20	10,0	20	-	-	6,52 €	35,77 €
MHX6-25/B	MHX6-25/SS/B	M6	25	10,0	20	-	✓	6,84 €	36,28 €
MHX6-30/B	MHX6-30/SS/B	M6	30	10,0	20	✓	✓	7,89 €	43,42 €
MHX6-35/B	-	M6	35	10,0	20	✓	✓	9,69 €	-
MHX6-40/B	-	M6	40	10,0	20	✓	✓	10,53 €	-
MHX6-50/B	-	M6	50	10,0	20	-	-	18,11 €	-
MHX8-15/B	-	M8	15	13,0	20	✓	-	9,27 €	-
MHX8-20/B	-	M8	20	13,0	20	✓	-	10,73 €	-
MHX8-25/B	MHX8-25/SS/B	M8	25	13,0	20	✓	✓	13,14 €	61,52 €
MHX8-30/B	MHX8-30/SS/B	M8	30	13,0	20	✓	✓	15,16 €	72,87 €
MHX8-35/B	-	M8	35	13,0	20	-	-	17,46 €	-
MHX8-40/B	-	M8	40	13,0	20	✓	-	19,79 €	-
MHX8-45/B	-	M8	45	13,0	20	✓	-	23,57 €	-
MHX8-50/B	-	M8	50	13,0	20	✓	-	29,67 €	-
MHX8-60/B	-	M8	60	13,0	20	✓	-	35,86 €	-
MHX10-20/B	-	M10	20	17,0	20	✓	-	14,95 €	-
MHX10-25/B	MHX10-25/SS/B	M10	25	17,0	20	-	-	18,30 €	105,19 €
MHX10-30/B	MHX10-30/SS/B	M10	30	17,0	20	-	-	21,89 €	125,98 €
MHX10-40/B	MHX10-40/SS/B	M10	40	17,0	20	✓	-	28,93 €	167,73 €
MHX10-50/B	-	M10	50	17,0	20	-	-	35,86 €	-
MHX10-60/B	-	M10	60	17,0	20	-	-	44,17 €	-
MHX10-70/B	-	M10	70	17,0	20	✓	-	51,75 €	-
MHX12-25/B	-	M12	25	19,0	20	✓	-	22,94 €	-
MHX12-30/B	MHX12-30/SS/B	M12	30	19,0	20	-	-	28,06 €	148,93 €
MHX12-40/B	MHX12-40/SS/B	M12	40	19,0	20	✓	-	36,81 €	176,87 €
MHX12-50/B	MHX12-50/SS/B	M12	50	19,0	20	✓	-	46,07 €	220,73 €
MHX12-60/B	-	M12	60	19,0	20	-	-	55,01 €	-
MHX12-70/B	-	M12	70	19,0	20	✓	-	63,41 €	-

*Depending on availability - Dimensions in mm

Our other products



SCA_SS

Stainless steel flat cable clamp, Stainless steel



LFM

Steel leadscrew, Medium carbon steel - 1 thread



MEB

Moulded plastic bevel gear (nylon), 1:1



CHA38_SS

Stainless steel face frame hinge, Surface mount



KBS_UU

Stainless steel closed precision linear bearing, Precision - stainle...



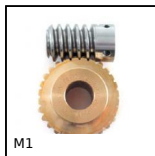
GGB

Female wing knob, With blind thread



SC2

2 part rigid shaft clamp, Clamping jaw



M1

Worm and wheel set, Bronze



D19_D29

Compression springs in metre length steel, by the metre



DB

Steel bevel gear, 2:1



SDB

Locking bolt support bracket, Mounting holes at 90° to



MAX26

Motor-gearbox 12V and 24V DC, from 0,075 to 0,6Nm

Complementary products



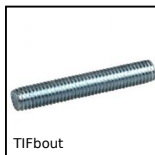
MHX

Hexagonal threaded sleeve, Hexagonal - stainless steel



MHXred

Reducing sleeve male/female, Hexagonal - steel



TIFbout

Threaded stud - DIN976A, Steel