

# Single-disc flexible coupling



## MHS

## Couplings for servo-motors

### Torque: 2.8 to 38Nm

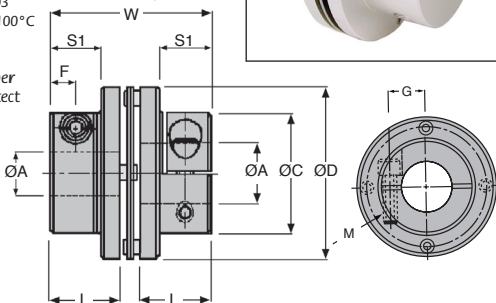
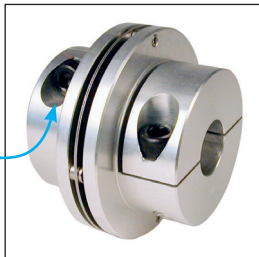
- Very rigid in torsion
- Misalignment absorbed by stainless steel disc
- Backlash free
- Resistant to oil and chemical products
- Maintenance free
- Materials:
  - Hubs: Aluminium A-U4G
  - Disc: Stainless steel 301
  - Pin: Stainless steel 303
- Max. working temp.: +100°C

### Applications

- Ideal for use with stepper motors that cannot detect start position
- Applications requiring high accuracy
- Automated systems

### Info

- We are unable to modify these parts



### DISCOUNTS

Qty	1+	5+	10+	15+	20+
Disc.	List	-10%	-15%	-25%	On request

Part number	Max. speed of rotation (rpm)	Weight (g)	Moment of inertia (kg·m <sup>2</sup> )	Static torsional stiffness (Nm/Rad)	Misalignment			Nominal torque (Nm)	Max. torque (Nm)
					Radial (mm)	Angular	Axial (mm)		
MHS-32C	1900	38	4,5 x 10 <sup>-6</sup>	1300	-	1°	±0,20	2,8	5,6
MHS-40C	1500	66	1,2 x 10 <sup>-5</sup>	2800	-	1°	±0,20	6,0	12,0
MHS-50C	1200	120	3,7 x 10 <sup>-5</sup>	3700	-	1°	±0,20	12,0	24,0
MHS-63C	1000	190	8,4 x 10 <sup>-5</sup>	5000	-	1°	±0,20	19,0	38,0

Part number	Standard bore	Max. bore	ØD	F	L	W	ØC	S1	M	G	Price each 1 to 4
	ØA	ØA									
MHS-32C	6	10	32	4	13,70	32	22	9	M3	8,00	✓✓ 160,35 €
MHS-40C	8	14	40	6	16,50	38	28	12	M4	10,50	✓ 174,11 €
MHS-50C	12	20	50	7	19,40	44	39	15	M5	14,75	✓ 210,52 €
MHS-63C	15	25	63	8	22,30	50	45	18	M6	17,00	- 294,09 €

\*Depending on availability - Dimensions in mm

HPC

WEB  
04/2020

www.hpceurope.com

Tél: 0 825 88 5000 Service 0,15€/min + prix appel

## Our other products



BABss  
303 Stainless steel ball pin, 303 Stainless steel



WINGbr  
Wing screw, hand tightened DIN316, Brass DIN 316



HBM  
Adjustment bushing for half-rail guide, Adjustment bushing



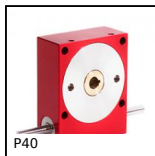
DOMI80  
Domino 80 adjustable slide, Slide DOMILINE 80



KB\_UU  
Closed linear precision bearing, Precision - steel



RPB  
Ballscrew bearing unit, Support



P40  
Worm and wheel gear reducer, up to 18 Nm



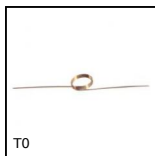
CHMR80  
Worm and wheel gear reducer, up to 107 Nm



Q4  
Double row radial contact ball bearing,



DB  
Steel bevel gear, 2:1



T0  
Torsion spring, Stainless steel



DBL805  
Idler for slat top chain, Range 805

## Complementary products



MHWC  
Double-disc flexible coupling, Double disk