



Crank arm with rotating handle

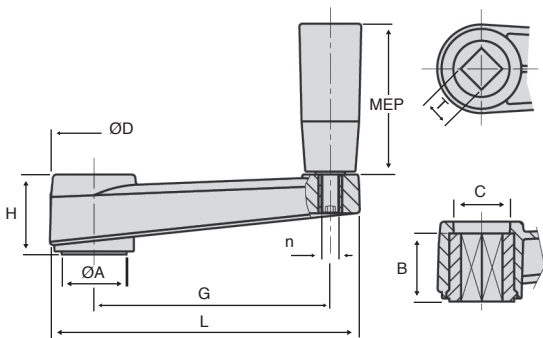
Square bore, technopolymer

MHQ_{MEP}

- Crank arm with rotating handle and a square through-bored hole
- Operating elements
- Material:
Black glass fibre reinforced polyamide
Matt surface finish

Options

- Alternative bores on request
- Industry standard keyways available



DISCOUNTS

Qty	1+	10+	20+
Disc.	List	-5%	On request

Part number	G	L	ØA	ØD	H	T	B	C	MEP	n	Stock*	Price each
												1 to 9
MHQ65-MEP	65	87	18	27	23	8x8	20	16	21x50	M6	✓	18,89 €
MHQ80-MEP	80	105	22	30	26	10x10	22	19	21x50	M6	✓	21,12 €
MHQ100-MEP	100	128	24	34	30	12x12	27	22	23x70	M8	✓	25,09 €
MHQ130-MEP	130	162	28	40	35	14x14	30	25	26x90	M8	✓	33,64 €
MHQ160-MEP	160	196	34	45	40	17x17	34	28	26x90	M10	✓	43,67 €

*Subject to availability - Dimensions in mm

Our other products



CLG2

Moulded plastic spur gear, Moulded plastic (nylon)



LRR-53

Spring loaded latch, Spring return latch - stainless steel



PTA80

Articulated levelling foot, pressed base Ø80, Ø 80



UGH25

H Type Guide units, For Ø25 actuators



SHN

Hexagonal nut DIN934, Steel (Class 6|8)



SSDB

Stainless steel bevel gear, 2:1



UGCG

Actuator guide kit, Long housing



LVT

Miniature motorised actuator 4A, 4 amperes



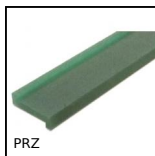
GAL21

Conveyor wheel, Plastic



HTD5M_25

HTD Heavy duty timing pulley, HTD5 Aluminium



PRZ

Wear strip for slat top chain, Z profile to be filled



MAX22

Motor-gearbox 12V and 24V DC, from 0,07 to 0,2Nm

Complementary products



MHMEP

Arm with rotating handle, Prebored



MHPGR

Arm with folding rotating handle,



MEP

Revolving handle for handwheel, Fixed



PGR

Folding revolving handle for handwheel, Folding