



# Crank arm with rotating handle

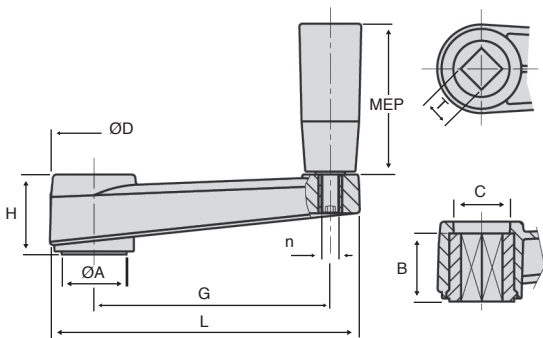
Square bore, technopolymer

MHQ<sub>MEP</sub>

- Crank arm with rotating handle and a square through-bored hole
- Operating elements
- Material:  
Black glass fibre reinforced polyamide  
Matt surface finish

## Options

- Alternative bores on request
- Industry standard keyways available



## DISCOUNTS

Qty	1+	10+	20+
Disc.	List	-5%	On request

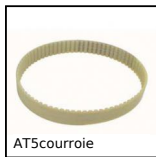
Part number	G	L	ØA	ØD	H	T	B	C	MEP	n	Stock*	Price each
												1 to 9
MHQ65-MEP	65	87	18	27	23	8x8	20	16	21x50	M6	✓	18,89 €
MHQ80-MEP	80	105	22	30	26	10x10	22	19	21x50	M6	✓	21,12 €
MHQ100-MEP	100	128	24	34	30	12x12	27	22	23x70	M8	✓	25,09 €
MHQ130-MEP	130	162	28	40	35	14x14	30	25	26x90	M8	✓	33,64 €
MHQ160-MEP	160	196	34	45	40	17x17	34	28	26x90	M10	✓	43,67 €

\*Subject to availability - Dimensions in mm

## Our other products



**GARQT**  
Quarter turn lock pin for clamping, Quarter turn



**AT5courroie**  
AT5 type timing belt, AT5 Steel cored polyurethane



**WSSss**  
Symmetrical S shaped hook stainless steel, Stainless steel



**UCF**  
Cast iron flange bearing unit, Cast iron



**GCH**  
Linear ball slide - Stainless steel balls, Chariot - from 514 N to 1...



**DOMI30**  
Accessories, Fixing kit



**G4-ECO**  
Eco range Spur gear, Steel C45



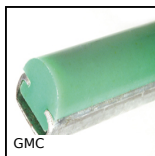
**DKONSL**  
Silicone conical elasto buffer, Male mounting



**PTA100**  
Articulated levelling foot, pressed base



**ZG4**  
Plastic spur gear, Machined plastic



**GMC**  
Flat profile - Round guide, Flat profile -



**UFX**  
Spare tyre UNEFLEX® coupling, range

## Complementary products



**MHMEP**  
Arm with rotating handle, Prebored



**MHPGR**  
Arm with folding rotating handle,



**MEP**  
Revolving handle for handwheel, Fixed



**PGR**  
Folding revolving handle for handwheel, Folding