



# Crank arm with folding rotating handle

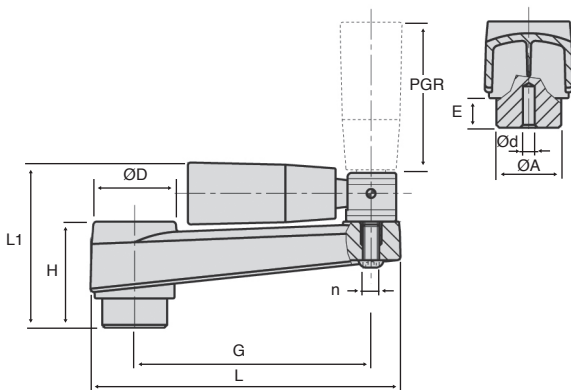
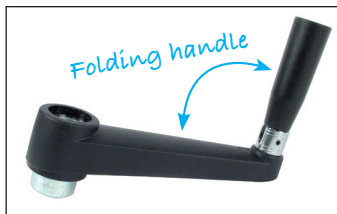
## Technopolymer

## MHPGR

- Crank arm with folding rotating handle
- Operating elements
- Material:  
Black glass fibre reinforced polyamide  
Matt surface finish

### Options

- Alternative bores on request
- Industry standard keyways available



### DISCOUNTS

Qty	1+	10+	20+
Disc.	List	-5%	On request

Part number	G	L	L1	ØA	ØD	E	H	Prebored Ød	PGR	n	Stock*	Price each 1 to 9
MH80-PGR	80	105	55	22	30	10	36	4	21x50	M5	-	59,63 €
MH100-PGR	100	128	63	24	34	10	40	4	23x70	M6	✓	60,39 €
MH130-PGR	130	162	74	28	40	14	49	6	23x70	M6	-	70,33 €
MH160-PGR	160	196	86	34	45	15	55	6	26x90	M6	✓	78,39 €

\*Subject to availability - Dimensions in mm

## Our other products



PX  
Optional output shaft stainless steel, P gearboxes single sided outp...



SH1  
Parallel axis helical gear, Steel 20NCD2



UGPL  
Actuator guide kit, Long bearing



MHX  
Hexagonal threaded sleeve, Hexagonal - steel



PR125  
Articulated foot Ø123, Ø 123



UTKpwr  
Utilittrak® 3 wheels carriage, Polymer roller carriage



SDA  
Locking bolt support bracket, Mounting holes parallel to locating bolt



E60  
Right angle helical reducers, from 4.50 to 62 Nm



PRS100  
Stainless steel articulated foot Ø100, Ø 100



AT5M AT10M  
AT type timing belt per metre, AT5 Steel cored polyurethane



AT10-50ECO  
AT type timing pulley, Economy range - AT10 aluminium



B3PAN  
Panamech, Multi-Beam stainless steel, Stainless steel - with clampin...

## Complementary products



MHMEP  
Arm with rotating handle, Prebored



MHQMEP  
Arm with rotating handle, Square bore



V3RA\_PTR  
3-spoked handwheel with foldable handle, Polyamide



SHA\_PTR  
Handwheel with folding handle, Polyamide