

Crank arm with **rotating handle**

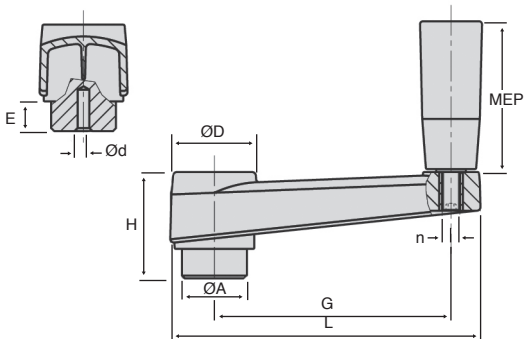
MH_{MEP}

Technopolymer

- Arm with rotating handle
- Operating elements
- Material:
Black glass fibre reinforced polyamide
Matt surface finish

Options

- Alternative bores on request
- Industry standard keyways available



DISCOUNTS

Qty	1+	10+	20+
Disc.	List	-5%	On request

Part number	G	L	ØA	ØD	E	H	Prebored Ød	MEP	n	Stock*	Price each 1 to 9
MH65-MEP	65	87	18	27	10	33	4	21x50	M6	✓	18,08 €
MH80-MEP	80	105	22	30	10	36	4	21x50	M6	✓	20,61 €
MH100-MEP	100	128	24	34	10	40	4	23x70	M8	✓	23,59 €
MH130-MEP	130	162	28	40	14	49	6	26x90	M8	✓	33,28 €
MH160-MEP	160	196	34	45	15	55	6	26x90	M10	✓	42,12 €

*Subject to availability - Dimensions in mm

HPC

WEB
04/2020

www.hpceurope.com

Tél: 0 825 88 5000 Service 0,15€/min + prix appel

Our other products



TCC

Rigging screw
(hook/hook), Steel



BPPL

Assembly tool for
carrier ball, Mounting
tool



PNA_R

PERIFLEX elastic
coupling,
Replacement tyre



CHMR110

Worm and wheel gear
reducer, up to 980
Nm



GLB

Small 6 lobe female
handle,
Technopolymer -
Brass



CMA

Eye bolt, Steel



M2

Worm and wheel set,
Machined plastic
(delrin)



CHB

Reaction arm, CHB
gear reducers
reaction arm



PTA150

Articulated levelling
foot, pressed base



BAGSS

Stainless steel
Clamping collar,
Clamping collar, Ø10 - Ø20



BAP

Plastic clamping
collar, Ø10 - Ø20



LACM_SS

Stainless steel cam
lever, Female

Complementary products



MHQMEP

Arm with rotating
handle, Square bore



MHPGR

Arm with folding
rotating handle,
Clamping collar, Ø10 - Ø20



MEP

Revolving handle for
handwheel, Fixed



PGR

Folding revolving
handle for handwheel,
Folding