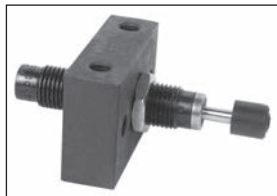
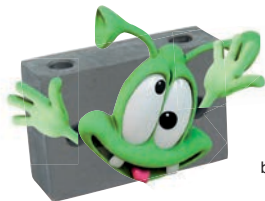
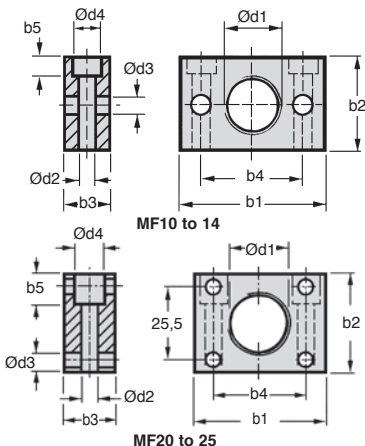


- Universal flange for shock-absorber



Typical application



DISCOUNTS

Qty	1+	6+	10+	15+
Disc.	List	-10%	-15%	On request

Part number	Ød1	Ød2	Ød3	Ød4	b1	b2	b3	b4	b5	For shock-absorber		Price each
										Stock*	1 to 5	
MF-10	M10x1	4,5	4,5	8	38	25	12	25	5	MC25	✓	43,91 €
MF-12	M12x1	4,5	4,5	8	38	25	12	25	5	MC75	✓	43,91 €
MF-14	M14x1,5	4,5	4,5	8	45	29	16	35	5	MC150	-	47,23 €
MF-20	M20x1,5	5,5	5,5	10	47	35	16	35	10	RMSA500	-	58,71 €
MF-25	M25x1,5	5,5	5,5	10	47	35	16	35	10	RMSA600-900	-	58,69 €

*Depending on availability - Dimensions in mm

Our other products



SSE
Stainless steel
spherical bearing,
Stainless steel / PTFE



RDE-N
Sealing washer
Hygienic Usit®,
Stainless steel - Black
EPDM



BOXsap
Boxed set of spring
pins ISO8752, Boxed
set - Split ISO 8752



YG1
HEAVY DUTY spur
gear, Steel 35NCD6



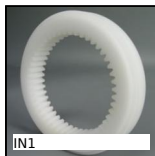
RT25ss
Self-centering flanged
locking assembly,
Medium/high torque



AT5M AT10M
AT type timing belt
per metre, AT5 Steel
cored polyurethane



BLHT70
Right angled gearbox,
from 26 to128 Nm



IN1
Internal gear,
Machined plastic
(delrin)



PSG05S
Spur gear - precision
range, Stainless steel



H1
Crossed helical gear
crossed axis at 90°,



HLC28
Right angle spiro
bevel gearbox, Up to



SHTC
Drylin® Linear table,
Maintenance free

Complementary products



MC
Self-compensating
shock-absorber, Self-
compensating -
without adjust...



RMSA
Adjustable shock-
absorber, Adjustable