

Universal joint cover

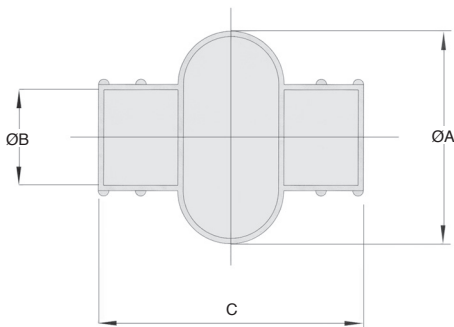
Industrial range

M

- Bellows for single joints
- For double joints, use two covers

Advantages

- The use of a cover can extend the operating life of a universal joint 5 times



DISCOUNTS

Qty	1+	2+	4+	10+
Disc. List	-6%	-12%	On request	

Part number	Joint bore-size (approx)	ØA	ØB	C	For universal joint n°	Stock*	Price each
						✓	€
M03-A-10	10	39	20,5	47	G03 GD03 H03 HD03 CT10	✓	9,75 €
M04-A-12	12	47	24,5	52	G04 GD04 H04 HD04 CT12	✓	9,75 €
M05-A-14	14	51	27,5	58	G05 GD05 H05 HD05 CT14	✓	9,75 €
M1-A-16	16	56	30,5	67	G1 GD1 H1 HD1 CT16	✓	10,67 €
M2-A-18	18	66	35,5	74	G2 GD2 H2 HD2 CT18	✓	10,67 €
M3-A-20	20	75	40,0	84	G3 GD3 H3 HD3 CT20	✓	15,26 €
M4-A-22	22	83	45,0	97	G4 GD4 H4 HD4 CT22	✓	15,26 €
M5-A-25	25	93	50,0	110	G5 GD5 H5 HD5 CT25	✓	16,56 €
M6-A-30	30	105	56,0	124	G6 GD6 H6 HD6 CT30	✓	16,56 €

*Depending on availability - Dimensions in mm

Our other products



DOMI50
Accessories, Turntable



PRF1945
Standard aluminium
profile, 19 x 45 mm



T2
T type timing belt,
T2.5 Steel cored
polyurethane



RBGpl
Swivel castor with
plate, Steel - grey
rubber



GDR880
Straight track for slat
top chain, Ranges 880
and 881



PTA150
Articulated levelling
foot, pressed base
Ø150, Ø 150



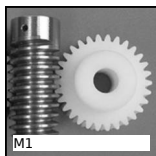
MSP23
Masterplate®
glueable insert Ø23,
Cylindrical Ø23 with
tapped ins...



NT63
Spur gear coaxial
gearbox, from 8 to 20
Nm - In-line



MPB
Hexagonal spacer,
Brass



M1
Worm and wheel set,
Machined plastic



BPFss
Pressed stainless
steel flange bearing,



G4-ECO
Eco range Spur gear,
Steel C45

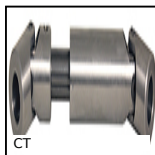
Complementary products



G01
Single universal joint,
Normal duty



GD01
Double universal joint,
Standard duty



CT
Telescopic universal
joint, Normal duty



CTss
Universal joint,
telescopic, Inox, Light
duty