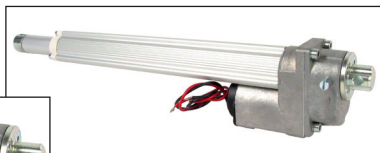


Miniature motorised actuator, 1A

LVT1

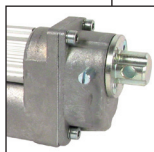
1 Amp

- 1Amp 12-24 Vdc motor
- Linear accuracy: +/- 0.2mm
- Leadscrew: Stainless steel AISI430F



Option

- Magnetic limit switch (Recommended)



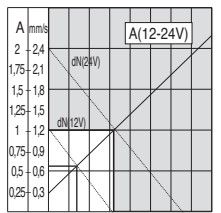
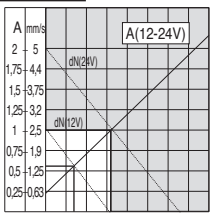
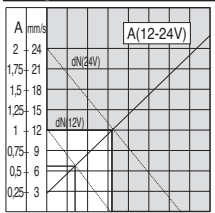
DISCOUNTS

Qty	1+	2+	4+
Disc.	List	-15%	On request

Part number		Ratio	Pitch (mm)	Screw Ø (mm)	Stroke (mm)	Price each	
Without switch	With switch					Without switch	With switch
Stainless steel leadscrew, 3mm pitch							
LVT1-12-3-100	LVT1-12-3-100/CFC	1/12	3	8,8	100	249,85 €	338,81 €
LVT1-12-3-150	LVT1-12-3-150/CFC	1/12	3	8,8	150	249,85 €	338,81 €
LVT1-12-3-200	LVT1-12-3-200/CFC	1/12	3	8,8	200	249,85 €	338,81 €
LVT1-12-3-250	LVT1-12-3-250/CFC	1/12	3	8,8	250	249,85 €	338,81 €
LVT1-12-3-300	LVT1-12-3-300/CFC	1/12	3	8,8	300	249,85 €	338,81 €
LVT1-48-3-100	LVT1-48-3-100/CFC	1/48	3	8,8	100	249,85 €	338,81 €
LVT1-48-3-150	LVT1-48-3-150/CFC	1/48	3	8,8	150	249,85 €	338,81 €
LVT1-48-3-200	LVT1-48-3-200/CFC	1/48	3	8,8	200	249,85 €	338,81 €
LVT1-48-3-250	LVT1-48-3-250/CFC	1/48	3	8,8	250	249,85 €	338,81 €
LVT1-48-3-300	LVT1-48-3-300/CFC	1/48	3	8,8	300	249,85 €	338,81 €
LVT1-108-3-100	LVT1-108-3-100/CFC	1/108	3	8,8	100	249,85 €	338,81 €
LVT1-108-3-150	LVT1-108-3-150/CFC	1/108	3	8,8	150	249,85 €	338,81 €
LVT1-108-3-200	LVT1-108-3-200/CFC	1/108	3	8,8	200	249,85 €	338,81 €
LVT1-108-3-250	LVT1-108-3-250/CFC	1/108	3	8,8	250	249,85 €	338,81 €
LVT1-108-3-300	LVT1-108-3-300/CFC	1/108	3	8,8	300	249,85 €	338,81 €
Stainless steel leadscrew, 10mm pitch							
LVT1-12-10-100	LVT1-12-10-100/CFC	1/12	10	7,9	100	249,85 €	338,81 €
LVT1-12-10-150	LVT1-12-10-150/CFC	1/12	10	7,9	150	249,85 €	338,81 €
LVT1-12-10-200	LVT1-12-10-200/CFC	1/12	10	7,9	200	249,85 €	338,81 €
LVT1-12-10-250	LVT1-12-10-250/CFC	1/12	10	7,9	250	249,85 €	338,81 €
LVT1-12-10-300	LVT1-12-10-300/CFC	1/12	10	7,9	300	249,85 €	338,81 €
LVT1-48-10-100	LVT1-48-10-100/CFC	1/48	10	7,9	100	249,85 €	338,81 €
LVT1-48-10-150	LVT1-48-10-150/CFC	1/48	10	7,9	150	249,85 €	338,81 €
LVT1-48-10-200	LVT1-48-10-200/CFC	1/48	10	7,9	200	249,85 €	338,81 €
LVT1-48-10-250	LVT1-48-10-250/CFC	1/48	10	7,9	250	249,85 €	338,81 €
LVT1-48-10-300	LVT1-48-10-300/CFC	1/48	10	7,9	300	249,85 €	338,81 €
LVT1-108-10-100	LVT1-108-10-100/CFC	1/108	10	7,9	100	249,85 €	338,81 €
LVT1-108-10-150	LVT1-108-10-150/CFC	1/108	10	7,9	150	249,85 €	338,81 €
LVT1-108-10-200	LVT1-108-10-200/CFC	1/108	10	7,9	200	249,85 €	338,81 €
LVT1-108-10-250	LVT1-108-10-250/CFC	1/108	10	7,9	250	249,85 €	338,81 €
LVT1-108-10-300	LVT1-108-10-300/CFC	1/108	10	7,9	300	249,85 €	338,81 €

Dimensions in mm

Performance characteristics

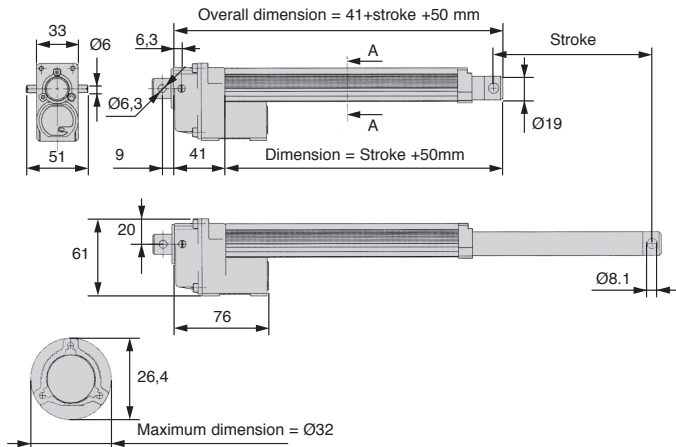


1A Operating cycle (12V): 80% On 20% Off
 1A Operating cycle (24V): 50% On 50% Off

Note:

- Optimum power is obtained at 50% of max current (see light area on graph)
- Max operating temperature: 70°C
- Over-temperature protection available on request

Attention: The above tables refer to a 3mm pitch actuator. For an actuator with a 10mm pitch, just divide the load by 10/3 and multiply the speeds by 10/3 (same principle for 3.5mm pitch, use a factor of 3.5/3)

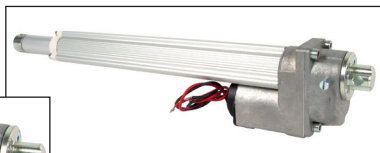


Miniature motorised actuator, 2A

LVT2

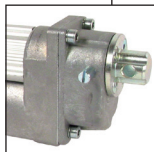
2 Amp

- 2Amp 12-24 Vdc motor
- Linear accuracy: +/- 0.2mm
- Leadscrew: Stainless steel AISI430F



Option

- Magnetic limit switch (Recommended)



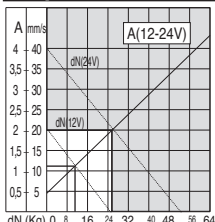
DISCOUNTS

Qty	1+	2+	4+
Disc.	List	-15%	On request

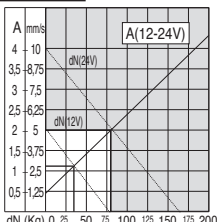
Part number		Ratio	Pitch (mm)	Screw Ø (mm)	Stroke (mm)	Price each	
Without switch	With switch					Without switch	With switch
Stainless steel leadscrew, 3mm pitch							
LVT2-12-3-100	LVT2-12-3-100/CFC	1/12	3	8,8	100	249,85 €	338,81 €
LVT2-12-3-150	LVT2-12-3-150/CFC	1/12	3	8,8	150	249,85 €	338,81 €
LVT2-12-3-200	LVT2-12-3-200/CFC	1/12	3	8,8	200	249,85 €	338,81 €
LVT2-12-3-250	LVT2-12-3-250/CFC	1/12	3	8,8	250	249,85 €	338,81 €
LVT2-12-3-300	LVT2-12-3-300/CFC	1/12	3	8,8	300	249,85 €	338,81 €
LVT2-48-3-100	LVT2-48-3-100/CFC	1/48	3	8,8	100	249,85 €	338,81 €
LVT2-48-3-150	LVT2-48-3-150/CFC	1/48	3	8,8	150	249,85 €	338,81 €
LVT2-48-3-200	LVT2-48-3-200/CFC	1/48	3	8,8	200	249,85 €	338,81 €
LVT2-48-3-250	LVT2-48-3-250/CFC	1/48	3	8,8	250	249,85 €	338,81 €
LVT2-48-3-300	LVT2-48-3-300/CFC	1/48	3	8,8	300	249,85 €	338,81 €
LVT2-108-3-100	LVT2-108-3-100/CFC	1/108	3	8,8	100	249,85 €	338,81 €
LVT2-108-3-150	LVT2-108-3-150/CFC	1/108	3	8,8	150	249,85 €	338,81 €
LVT2-108-3-200	LVT2-108-3-200/CFC	1/108	3	8,8	200	249,85 €	338,81 €
LVT2-108-3-250	LVT2-108-3-250/CFC	1/108	3	8,8	250	249,85 €	338,81 €
LVT2-108-3-300	LVT2-108-3-300/CFC	1/108	3	8,8	300	249,85 €	338,81 €
Stainless steel leadscrew, 10mm pitch							
LVT2-12-10-100	LVT2-12-10-100/CFC	1/12	10	7,9	100	249,85 €	338,81 €
LVT2-12-10-150	LVT2-12-10-150/CFC	1/12	10	7,9	150	249,85 €	338,81 €
LVT2-12-10-200	LVT2-12-10-200/CFC	1/12	10	7,9	200	249,85 €	338,81 €
LVT2-12-10-250	LVT2-12-10-250/CFC	1/12	10	7,9	250	249,85 €	338,81 €
LVT2-12-10-300	LVT2-12-10-300/CFC	1/12	10	7,9	300	249,85 €	338,81 €
LVT2-48-10-100	LVT2-48-10-100/CFC	1/48	10	7,9	100	249,85 €	338,81 €
LVT2-48-10-150	LVT2-48-10-150/CFC	1/48	10	7,9	150	249,85 €	338,81 €
LVT2-48-10-200	LVT2-48-10-200/CFC	1/48	10	7,9	200	249,85 €	338,81 €
LVT2-48-10-250	LVT2-48-10-250/CFC	1/48	10	7,9	250	249,85 €	338,81 €
LVT2-48-10-300	LVT2-48-10-300/CFC	1/48	10	7,9	300	249,85 €	338,81 €
LVT2-108-10-100	LVT2-108-10-100/CFC	1/108	10	7,9	100	249,85 €	338,81 €
LVT2-108-10-150	LVT2-108-10-150/CFC	1/108	10	7,9	150	249,85 €	338,81 €
LVT2-108-10-200	LVT2-108-10-200/CFC	1/108	10	7,9	200	249,85 €	338,81 €
LVT2-108-10-250	LVT2-108-10-250/CFC	1/108	10	7,9	250	249,85 €	338,81 €
LVT2-108-10-300	LVT2-108-10-300/CFC	1/108	10	7,9	300	249,85 €	338,81 €

Dimensions in mm

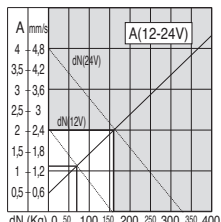
Performance characteristics



LVT2-12



LVT2-48



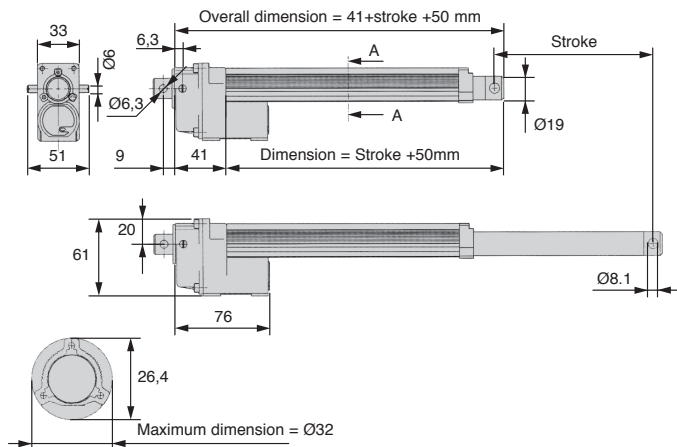
LVT2-108

2A Operating cycle (12V): 50% On 50% Off
 2A Operating cycle (24V): 20% On 80% Off

Note :

- Optimum power is obtained at 50% of max current (see light area on graph)
- Max operating temperature: 70°C
- Over-temperature protection available on request

Attention: The above tables refer to a 3mm pitch actuator. For an actuator with a 10mm pitch, just divide the load by 10/3 and multiply the speeds by 10/3 (same principle for 3.5mm pitch, use a factor of 3.5/3)

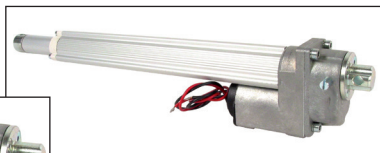


Miniature motorised actuator, 4A

LVT4

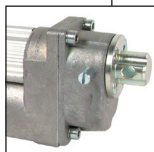
4 Amp

- 4 Amp 12Vdc motor
- Linear accuracy: +/- 0.2mm
- Leadscrew: Stainless steel
AISI430F



Option

- Magnetic limit switch
(Recommended)



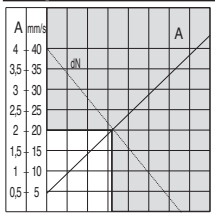
DISCOUNTS

Qty	1+	2+	4+
Disc.	List	-15%	On request

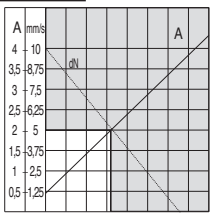
Part number		Ratio	Pitch (mm)	Screw Ø (mm)	Stroke (mm)	Price each	
Without switch	With switch					Without switch	With switch
Stainless steel leadscrew, 3mm pitch							
LVT4-12-3-100	LVT4-12-3-100/CFC	1/12	3	8,8	100	249,85 €	338,81 €
LVT4-12-3-150	LVT4-12-3-150/CFC	1/12	3	8,8	150	249,85 €	338,81 €
LVT4-12-3-200	LVT4-12-3-200/CFC	1/12	3	8,8	200	249,85 €	338,81 €
LVT4-12-3-250	LVT4-12-3-250/CFC	1/12	3	8,8	250	249,85 €	338,81 €
LVT4-12-3-300	LVT4-12-3-300/CFC	1/12	3	8,8	300	249,85 €	338,81 €
LVT4-48-3-100	LVT4-48-3-100/CFC	1/48	3	8,8	100	249,85 €	338,81 €
LVT4-48-3-150	LVT4-48-3-150/CFC	1/48	3	8,8	150	249,85 €	338,81 €
LVT4-48-3-200	LVT4-48-3-200/CFC	1/48	3	8,8	200	249,85 €	338,81 €
LVT4-48-3-250	LVT4-48-3-250/CFC	1/48	3	8,8	250	249,85 €	338,81 €
LVT4-48-3-300	LVT4-48-3-300/CFC	1/48	3	8,8	300	249,85 €	338,81 €
LVT4-108-3-100	LVT4-108-3-100/CFC	1/108	3	8,8	100	249,85 €	338,81 €
LVT4-108-3-150	LVT4-108-3-150/CFC	1/108	3	8,8	150	249,85 €	338,81 €
LVT4-108-3-200	LVT4-108-3-200/CFC	1/108	3	8,8	200	249,85 €	338,81 €
LVT4-108-3-250	LVT4-108-3-250/CFC	1/108	3	8,8	250	249,85 €	338,81 €
LVT4-108-3-300	LVT4-108-3-300/CFC	1/108	3	8,8	300	249,85 €	338,81 €
Stainless steel leadscrew, 10mm pitch							
LVT4-12-10-100	LVT4-12-10-100/CFC	1/12	10	7,9	100	249,85 €	338,81 €
LVT4-12-10-150	LVT4-12-10-150/CFC	1/12	10	7,9	150	249,85 €	338,81 €
LVT4-12-10-200	LVT4-12-10-200/CFC	1/12	10	7,9	200	249,85 €	338,81 €
LVT4-12-10-250	LVT4-12-10-250/CFC	1/12	10	7,9	250	249,85 €	338,81 €
LVT4-12-10-300	LVT4-12-10-300/CFC	1/12	10	7,9	300	249,85 €	338,81 €
LVT4-48-10-100	LVT4-48-10-100/CFC	1/48	10	7,9	100	249,85 €	338,81 €
LVT4-48-10-150	LVT4-48-10-150/CFC	1/48	10	7,9	150	249,85 €	338,81 €
LVT4-48-10-200	LVT4-48-10-200/CFC	1/48	10	7,9	200	249,85 €	338,81 €
LVT4-48-10-250	LVT4-48-10-250/CFC	1/48	10	7,9	250	249,85 €	338,81 €
LVT4-48-10-300	LVT4-48-10-300/CFC	1/48	10	7,9	300	249,85 €	338,81 €
LVT4-108-10-100	LVT4-108-10-100/CFC	1/108	10	7,9	100	249,85 €	338,81 €
LVT4-108-10-150	LVT4-108-10-150/CFC	1/108	10	7,9	150	249,85 €	338,81 €
LVT4-108-10-200	LVT4-108-10-200/CFC	1/108	10	7,9	200	249,85 €	338,81 €
LVT4-108-10-250	LVT4-108-10-250/CFC	1/108	10	7,9	250	249,85 €	338,81 €
LVT4-108-10-300	LVT4-108-10-300/CFC	1/108	10	7,9	300	249,85 €	338,81 €

Dimensions in mm

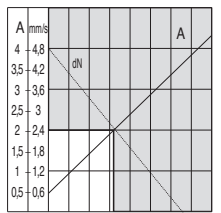
Performance characteristics



LVT4-12



LVT4-48



LVT4-108

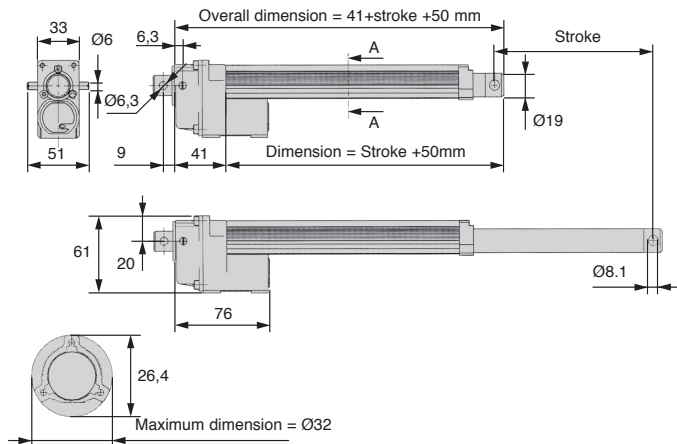
4A Operating cycle (14V): 20% On 80% Off

There is only a 12Vdc version available

Note:

- Optimum power is obtained at 50% of max current (see light area on graph)
- Max operating temperature: 70°C
- Over-temperature protection available on request

Attention: The above tables refer to a 3mm pitch actuator. For an actuator with a 10mm pitch, just divide the load by 10/3 and multiply the speeds by 10/3 (same principle for 3.5mm pitch, use a factor of 3.5/3)



Our other products



LRX

Linear roller slide, Rail
- from 9410 N to
101000 N



F7-P-AM

Multifunction display,
Magnetic ring



GLT3-46

Telescopic drawer,



TBE16

Economic mini-table
with trapezoidal
lead screw, 5kg



Q6

Deep groove ball
bearing, Steel



HLA24

Right angle spiro
bevel gearbox, Up to
78Nm



GGP

Male wing knob,
Technopolymer with
stainless steel spindle



INS_BR

Self tapping brass
insert, Brass



BAGSS

Stainless steel
Clamping collar,
Stainless steel



DB

Steel bevel gear, 2:1



T2

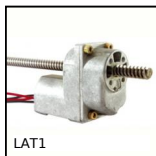
T type timing belt,
T2.5 Steel cored
polyurethane



BH02

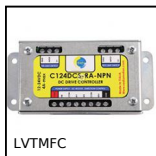
Single housed bearing
assembly, Bearing
secured with circlips

Complementary products



LAT1

1A motorised linear
actuator, 1 ampere



LVTMFC

Device for controlling
limit switches, For
mini-actuator LVT



LVT

Miniature motorised
actuator 2A, 2 amperes