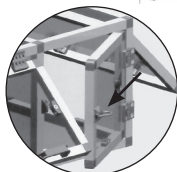
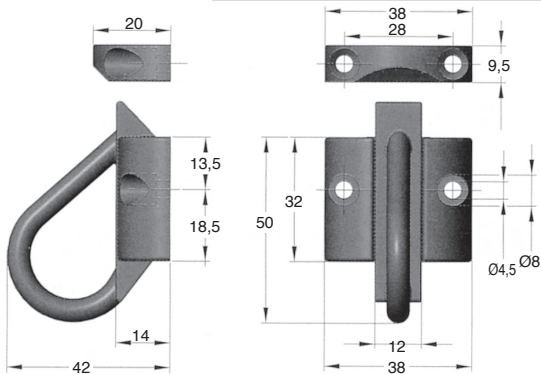


- Accessory for square tube structure
- Material: reinforced polyamide

### Accessories

- Hinge **CHA**
- Doorstop **BLOC**



Typical application

### DISCOUNTS

Qty	1+	50+	100+
Disc.	List	-5%	On request

Part number	Weight (kg)	Stock*	Price each 1 to 49
LOQ-MAN	0,01	✓	7,86 €

\*Depending on availability - Dimensions in mm

## Our other products



CF

Cam follower,  
Standard - steel



PLC\_PLT

Magnetic stud with  
central hole, With  
central hole



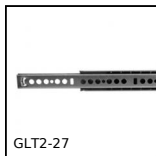
DB

Steel bevel gear, 2:1



AT10courroie

AT type timing belt,  
AT10 Steel cored  
polyurethane



GLT2-27

Telescopic drawer  
runners for groove  
mounting, Partial  
extension



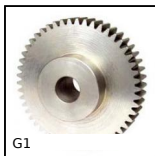
TBbutee

Axial thrust bearing,  
Steel balls



PSP

Support profile, Panel  
support



G1

Steel spur gear, Steel  
20NCD2



VTHA

Magnetic screw with  
hexagonal head, Steel



GSI\_A

Gas control screw for  
gas spring, Gas



PTA40

Articulated foot with  
solid base foot Ø 40,



BAC105

Storage bin, 8mm

## Complementary products



BLOC

Doorstop, Doorstop



CHA135

Screwed hinge, 135  
degrees