

# Adjustable stainless steel cam lever

With external thread

LACTss

- Element of manual blocking

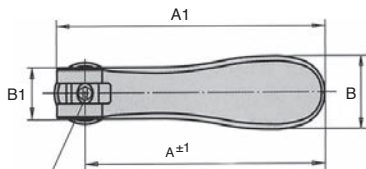
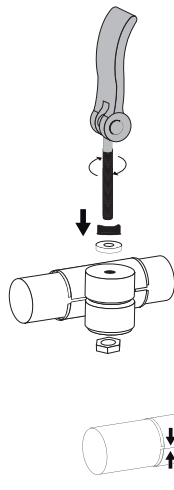
- Quick fixing

- Materials

Handle: stainless steel Z6CN18.10M,  
electrolytically polished

Thrust washer: glass fibre reinforced  
black plastic PA 6 GF 30

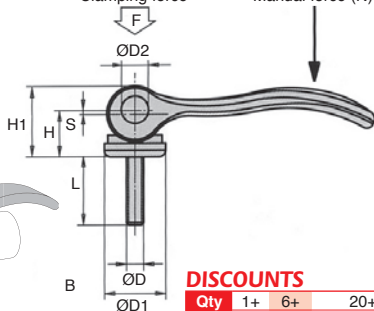
Hinge pin, threaded stud and washer:  
polished stainless steel 303



Pin for fine adjustment  
of tensioning lever

Clamping force

Manual force (N)



## DISCOUNTS

Qty	1+	6+	20+
Disc.	List	-10%	On request

Part number	Thread			B	B1	H	H1	A	A1	Clamping force F (kN)	Manual force N	Stroke S	L	Stock*	Price each 1 to 5
	ØD	ØD1	ØD2												
LAC-T5/SS	M5	18	9	21,5	15	14,5	22,0	70,4	79,2	4	120	1,2	40	✓	30,40 €
LAC-T6/SS	M6	18	9	21,5	15	14,5	22,0	70,4	79,2	4	120	1,2	40	✓	30,40 €
LAC-T8/SS	M8	27	11	33,2	24	18,0	28,5	96,0	108,0	8	350	1,5	50	✓	41,04 €
LAC-T10/SS	M10	27	11	33,2	24	18,0	28,5	96,0	108,0	8	350	1,5	50	✓	41,04 €

\*Depending on availability - Dimensions in mm

## Our other products



PTA80

Articulated levelling foot, pressed base  
Ø80, Ø 80



RAG-12-M8

Roller guide accessory, Anchoring system



VPPTss

Stainless steel handwheel with handle, Stainless steel 304



BLHT30

Right angled gearbox, from 1.65 to 4.40 Nm



CTZY

Diabolo shaped elastomount, Steel



RDE-B

Sealing washer Hygienic Usit®, Stainless steel - Blue EPDM



SSB

Stainless steel bevel gear, 1:1



HBM

Adjustment bushing for half-rail guide, Adjustment bushing



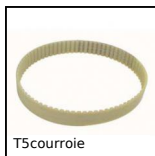
HTD5M\_25

HTD Heavy duty timing pulley, HTD5 Steel



RPP14

RPP heavy duty timing belt, RPP14



T5courroie

T type timing belt, T5 Steel cored polyurethane



LRR-53

Spring loaded latch, Spring return latch - steel

## Complementary products



LACM\_SS

Stainless steel cam lever, Female