

# Conical elasto buffer for foodstuff sector



## E-KONBLU

## Female mounting

- Rubber buffer suitable for use in the food industry

- FDA compliant

- Materials :

Frame: 316 stainless steel

Cylinder: FDA-compliant blue silicon

- Medium hardness, Shore 55A

- Temperature range : -30 °C to +180 °C

stainless steel

NEW!

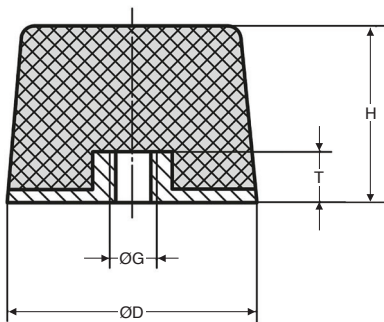
For foodstuff industry



### Applications

- End stop

- Supporting foot



### DISCOUNTS

Qty	1+	6+	20+	40+
Disc.	List	10%	-20%	On request

Part number	ØG	ØD	H	T	Stiffness (N/mm)	Load (N)	Price each 1 to 5
E-KON6-25-17/SS/BLU	M6	25	17	6	102	571	
E-KON8-30-15/SS/BLU	M8	30	15	8	185	1036	
E-KON10-50-17/SS/BLU	M10	50	17	10	677	3554	

Dimensions in mm



# Conical elasto buffer for foodstuff sector

Male mounting

D-KONBLU

- Rubber buffer suitable for use in the food industry
- FDA compliant
- Materials:
  - Frame: 316 stainless steel
  - Cylinder: FDA-compliant blue silicon
- Medium hardness, Swhore 55A
- Temperature range: -30 °C to +180 °C

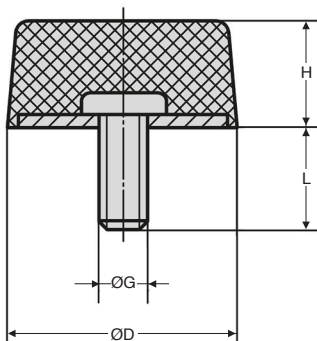
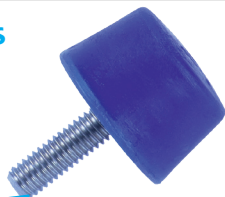
## Applications

- End stop
- Supporting foot

stainless steel

NEW!

For foodstuff industry



## DISCOUNTS

Qty	1+	6+	20+	40+
Disc.	List	10%	-20%	On request

Part number	ØG	ØD	H	L	Stiffness (N/mm)	Load (N)	Price each 1 to 5
D-KON6-25-17/SS/BLU	M6	25	17	18	80	448	
D-KON8-30-15/SS/BLU	M8	30	15	20	265	1530	
D-KON10-50-17/SS/BLU	M10	50	17	28	640	3584	

Dimensions in mm

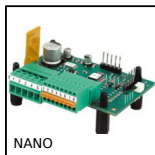
## Our other products



Q6  
Deep groove ball bearing, Steel



DPAR\_DKON  
Progressive stop, Steel



NANO  
Speed controller 3A, 3 A



AT5courioe  
AT type timing belt, AT5 Steel cored polyurethane



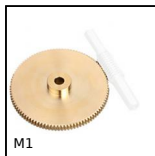
BPHF  
Ball transfer unit push fit, Heavy



BOXsap  
Boxed set of Spring pins ISO8752, Boxed set - Split ISO 8752



VLBG  
Lifting ring, Rotating



M1  
Wormwheel, Bronze



BPHF  
Ball transfer unit push fit, Heavy



CABPVC  
PVC covered galvanised steel



BOXdh  
Boxed set of cylindrical dowel pins



CHC  
Socket headed screw, Steel class 12.19

## Complementary products

transparen...



DPAR\_DKON  
Conical elasto buffer, Steel



D-PAR\_SS  
Stainless steel elasto mount, stainless steel



DPAR\_DKON  
Progressive stop, Steel



D-PAR\_SS  
Stainless steel progressive stop, stainless steel