

# HTD type timing pulley



## Pitch 5mm

## Steel or aluminium

Belt width 15mm



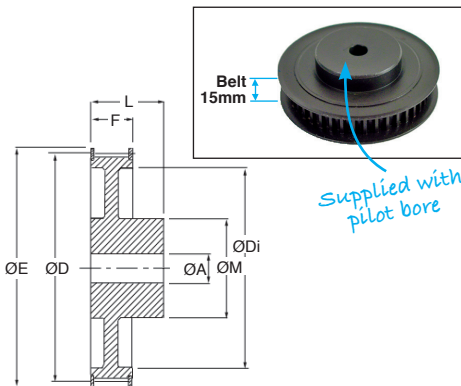
- For use with RPP5 belt
- Pitch: 5mm
- Material:  
Aluminium or phosphated steel depending on size

### Accessories

- Belts RPP5
- Belt tension roller GTC

### Info.

- \*\*Pilot bore dimension is given as a guide only may vary between batches
- To be finished to size customer
- **We are unable to modify these parts.**



### DISCOUNTS

Qty	1+	6+	20+
Disc.	List	-12%	On request

Part number	Material	No. of PCD		ØD	ØE	ØM	ØDi	F	L	Pilot bore **ØA	Price each 1 to 5
		teeth	external flange								
12HTD5M-15F	Steel	12	19,10	17,96	23,0	13,0	-	20,5	26,0	Solid	6,69 €
14HTD5M-15F		14	22,28	21,14	25,0	13,0	-	20,5	26,0	6	7,07 €
15HTD5M-15F		15	23,87	22,73	28,0	16,0	-	20,5	26,0	6	7,54 €
16HTD5M-15F		16	25,46	24,32	28,0	16,5	-	20,5	26,0	6	7,67 €
18HTD5M-15F		18	28,65	27,51	32,0	20,0	-	20,5	26,0	6	8,31 €
20HTD5M-15F		20	31,83	30,69	36,0	23,0	-	20,5	26,0	6	8,80 €
21HTD5M-15F		21	33,42	32,28	38,0	24,0	-	20,5	26,0	6	9,18 €
22HTD5M-15F		22	35,01	33,87	39,0	25,5	-	20,5	26,0	6	9,59 €
24HTD5M-15F		24	38,20	37,06	42,0	27,0	-	20,5	28,0	6	10,32 €
26HTD5M-15F		26	41,38	40,24	44,0	30,0	-	20,5	28,0	6	10,90 €
28HTD5M-15F		28	44,56	43,42	48,0	30,5	-	20,5	28,0	6	11,74 €
30HTD5M-15F		30	47,75	46,60	51,0	35,0	-	20,5	28,0	6	12,69 €
32HTD5M-15F		32	50,93	49,79	54,0	38,0	-	20,5	28,0	8	13,34 €
36HTD5M-15F		36	57,30	56,16	60,0	38,0	-	20,5	28,0	8	14,09 €
40HTD5M-15F	40	63,66	62,52	71,0	38,0	-	20,5	28,0	8	15,18 €	
44HTD5M-15	Aluminium	44	70,03	68,89	-	38,0	054	20,5	30,0	8	22,81 €
48HTD5M-15		48	76,39	75,25	-	38,0	061	20,5	30,0	8	25,18 €
60HTD5M-15		60	95,49	94,35	-	50,0	080	20,5	30,0	8	37,34 €
72HTD5M-15		72	114,59	113,45	-	50,0	100	20,5	30,0	8	50,66 €

\*Depending on availability - Dimensions in mm

## Our other products



MDPOT

Potentiometer,



MCL

Cylindrical threaded sleeve, Cylindrical - steel



ACLEPP

Right angled bracket for aluminium profile, 2 holes



RJA11\_27

Sealing strip, Not clipping



H0

Crossed helical gear crossed axis at 90°, Steel 20NCD2



GPLso

Brush, silk



CHV

Mechanical speed variator, from 0,18 to 1,5kW



TCC\_SS

Stainless steel rigging screw (hook/hook), Stainless steel



BTCW

Cap for square tube to be welded, To be welded



T5-10ECO

T type timing pulley, Economy range - T5 aluminium



DB

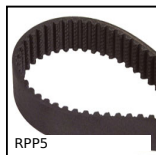
Steel bevel gear, 2:1



WSRM

Cylindrical polymer nut, Polymer (Iglidur®) - 1 thread

## Complementary products



RPP5

RPP heavy duty timing belt, RPP5



GTC

Belt tensioner, For standard applications