

## Module 6.0

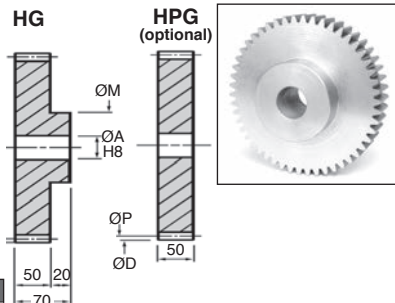
## Steel 20NCD2



- Precision class 9
- Pressure angle 20°
- Linear speed 300m/min

### Option

- Alternative number of teeth, a datasheet is available from [www.hpceurope.com](http://www.hpceurope.com) in PDF format



Torque and power indication				
For 50 teeth at 1000 rpm				
	20NCD2	20NCD2	brass	fibre
	Z10CNF18.09	hardened		
Nm	441	2350	120	180
kW	46	246	12.60	18.80

### DISCOUNTS

Qty	1+	4+	20+
Disc.	List -5%	On request	On request

Part number	Teeth Z	PCD ØP	Outside ØD	Boss ØM	Bore ØA	Price each 1 to 3	HG	HPG
HG6-12	12	72,00	84,00	50	25	On request		
HG6-14	14	84,00	96,00	60	25	83,80 €		
HG6-15	15	90,00	102,00	65	25	89,79 €		
HG6-18	18	108,00	120,00	80	30	107,74 €		
HG6-19	19	114,00	126,00	80	30	113,74 €		
HG6-20	20	120,00	132,00	90	30	119,71 €		
HG6-21	21	126,00	138,00	90	30	On request		
HG6-22	22	132,00	144,00	90	30	On request		
HG6-23	23	138,00	150,00	90	30	137,69 €		
HG6-24	24	144,00	156,00	90	30	On request		
HG6-25	25	150,00	162,00	90	30	149,67 €		
HG6-30	30	180,00	192,00	100	30	214,75 €		
HG6-31	31	186,00	198,00	100	30	On request		
HG6-32	32	192,00	204,00	120	38	On request		
HG6-35	35	210,00	222,00	120	38	309,76 €		
HG6-38	38	228,00	240,00	120	38	On request		
HG6-40	40	240,00	252,00	150	38	354,01 €		
HG6-41	41	246,00	258,00	150	38	On request		
HG6-42	42	252,00	264,00	150	38	On request		
HG6-44	44	264,00	276,00	150	38	On request		
<b>Gears available up to this size</b>								
HG6-95	95	570,00	582,00	Dimensions: contact us		On request		

On request

Dimensions in mm

## Our other products



SPIT  
Floor mounting  
levelling plate, With  
anchoring point



AT10courroie  
AT type timing belt,  
AT10 Steel cored  
polyurethane



ZG4  
Plastic spur gear,  
Machined plastic  
(delrin)



PPCss  
Pad eye on mounting  
plate squarred,  
Stainless steel



BEAB  
Knob star grip  
antibacterial, Star,  
anti-bacterial



CHA225  
Screwed hinge with  
threaded insert, 225  
degrees



S\_2RS  
Deep groove ball  
bearing, Stainless  
steel



BLHM70  
Right angled gearbox,  
up to 128 Nm



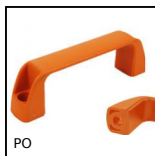
BSCf  
Knurled torque knobs  
- female, Knurled



ZG1  
Plastic spur gear,  
Machined plastic



PR105  
Articulated foot Ø103,  
Ø 103



PO  
Pull handle - Multi-  
sector, Smooth hole

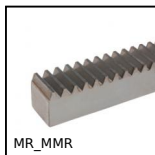
## Complementary products



ZHG6  
Plastic spur gear,  
Machined plastic  
(delrin)



HG6-ECO  
Eco range Spur gear,  
Steel C45



MR\_MMR  
Metric section rack,  
Steel



TRM  
Spur round rack, Steel  
- module 1-6