

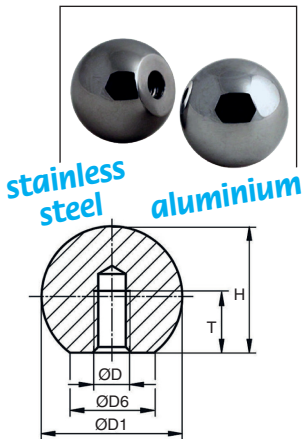
Threaded spherical knob, with fixing moulded thread

GPBSS Stainless steel 304 or aluminium
GPBAL

- **Operating element**
- **Material:**
 - Inox 304
 - Aluminium
- **Finishing:** polished

Advantages

- Does not retain dirt or dust



DISCOUNTS

Qty	1+	5+	10+	20+
Disc.	Price	-5%	-10%	On request

Part N°	ØD	ØD1	ØD6	H	T	Price per unit
						1 to 4
304 Stainless steel						
GPB16-M4/SS	M4	16	8	15.0	7.2	7,89 €
GPB20-M5/SS	M5	20	12	18.0	9.1	8,72 €
GPB25-M6/SS	M6	25	15	22.5	11.0	12,79 €
GPB32-M8/SS	M8	32	18	29.0	14.5	19,03 €
GPB40-M10/SS	M10	40	22	37.0	18.0	33,75 €
GPB50-M12/SS	M12	50	28	46.0	21.0	52,81 €
Aluminium						
GPB16-M4/AL	M4	16	8	15.0	7.2	5,59 €
GPB20-M5/AL	M5	20	12	18.0	9.1	5,75 €
GPB25-M6/AL	M6	25	15	22.5	11.0	8,04 €
GPB32-M8/AL	M8	32	18	29.0	14.5	11,59 €
GPB40-M10/AL	M10	40	22	37.0	18.0	16,67 €
GPB50-M12/AL	M12	50	28	46.0	21.0	24,17 €

Dimensions in mm

Our other products



MHSC

Single-disc flexible coupling, Single disk



CSS

Spherical bushing, Steel / self lubricating steel



CHM63

Worm and wheel gear reducer, up to 196 Nm



PRF-GPA

Guide for aluminium profile, Parallel rails



TCXR

Automatic chain tensioner, With steel sprocket



P15

Worm and wheel gear reducer, up to 3,75 Nm



DOG258

Motor-gearbox 12V and 24V DC, from 12 to 15 Nm



PRFRTR

Cross connector for aluminium profile, Cross connector



DILC

Indexing plunger with cam, with cam



AC156-157

Strike for toggle latch, 25.5mm



PRF_JL5

Lip seal for panel, Door seal - Ø 5mm



RPCpl

Swivel castor with double brake, Steel - Polyamide

Complementary products



GPBSS

Threaded spherical knob, Aluminium



GPB

Threaded spherical knob, Moulded thread



GPB

Threaded spherical knob, With brass insert