

# Sprung toggle latch with connecting link

## GP75

Recommended for applications with no seal

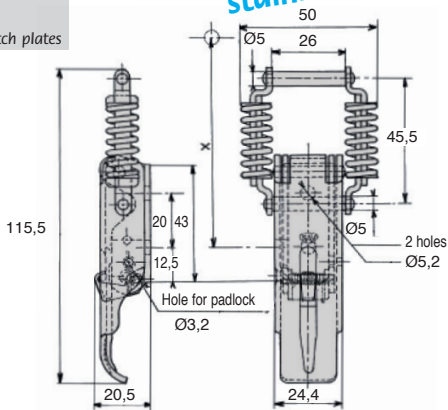
- High retaining strength for a spring latch
- Lever can be locked to the mounting bracket by retractable handle
- Easy operation of the release handle
- Can be locked
- Large spring range
- Wide positioning tolerance
- Materials:
  - White zinc plated steel
  - 18/8 stainless steel, natural finish

### Installation

- Approximate mounting dimension: Using an AC144 catch plate, X = 82,5 mm for a tension of about 550N

### Accessories

- AC144-ZZB and AC144-SS catch plates



### DISCOUNTS

Qty	1+	51+	101+	250+	400+
Disc.	List	-10%	-15%	-20%	On request

Part N°	Material	Wire Ø	Lever thickness	Mounting plate thickness	Max tension (N)	Weight (g)	Stock*	Price each 1 to 50
GP75-ZB	Steel	5,00	20/10th	20/10th	750	125	✓	10,87 €
GP75-SS	Stainless steel	5,00	20/10th	20/10th	750	125	✓	18,60 €

All dimensions in mm

## Our other products



PM2

Worm, Hardened steel



LACM\_SS

Stainless steel cam lever, Female



B\_ECO

Bevel gear - Steel C43, 1:1



ETGamme

Draw-spring, DIN 2097



HW\_HT

Half-rail guide, Wheel



INStool

Self tapping insert, Insertion tool



UCFL\_PBT

Flange bearing, Polymer and stainless steel



PWDL\_PWGDL3

Worm - precision range, Peek



EKGS

Backlash free coupling Gerwah®, from 0.5 to 35Nm



RLX

Free roller, PVC



TCC

Rigging screw, Steel



HRV

V-rail guidance system, Rail with carriage

## Complementary products



AC144

Catch plate for toggle latch, 22mm



GP75

Spring loaded toggle latch, Standard (GP75)



GE

Flexible toggle latch, Standard



GE14

Flexible toggle latch, With padlock-holder